

Connection head with integrated digital display module

Model DIH10, standard version

Model DIH10-Ex, intrinsically safe version

WIKA data sheet AC 80.11



for further approvals
see page 3

Applications

- Machine building and plant construction
- Chemical industry
- Petrochemical industry

Special features

- Universal application
- Robust, compact current loop display
- User-friendly configuration
- 7-segment LED display



Connection head with integrated digital display module model DIH10

Description

The model DIH10, DIH10-Ex integrated digital display module (digital indicator) is a universal, configurable, current loop display for fitting to electrical thermometers.

The robust, compact display is only applicable where a standard signal of 4 ... 20 mA is already available. When used with the housing versions, it can be an on-site display for the entire industrial sector.

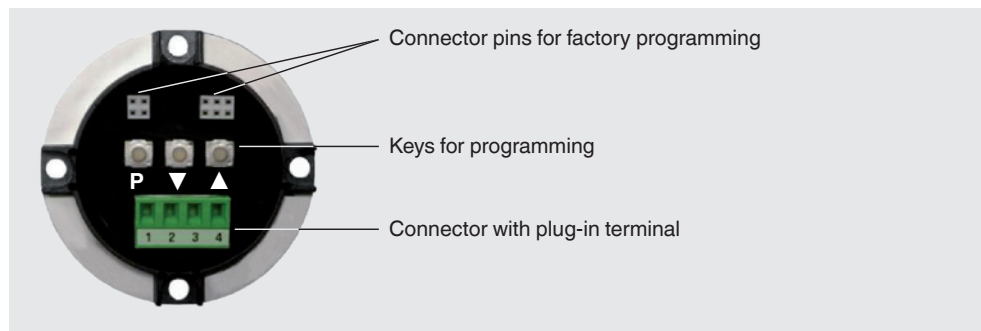
Combined with the ability to rotate the connection head and the large 4-digit, 7-segment LED display is easily readable from any direction. In order to make the electrical connection, the current loop display is simple and easy to open. Buttons provide a user-friendly configuration of the display range.

To operate the connection head with a model DIH10, DIH10-Ex digital display module, a transmitter (4 ... 20 mA) for the measuring point is a precondition.

Specifications

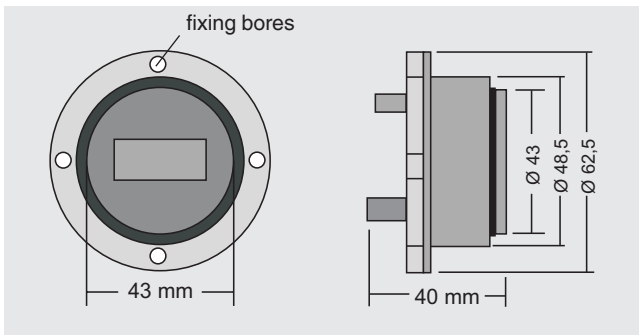
Specifications	Model DIH10, DIH10-Ex (display module)	
Current loop	4 ... 20 mA	
Input impedance R_i with 20 mA	< 160 Ω ($U \leq 3.2$ V)	
Voltage drop	< DC 3.2 V at 20 mA Supply via current loop	
Resolution	-999 ... 9999 digit	
Measuring error	± 0.2 % measuring range, ± 1 digit	
Temperature drift	100 ppm/K	
Display principle	LED, rotatable in 90° steps	
Display measured value	7-segment, 8 mm high, red, 4-digit = display 9999	
Overrange/Underrange	to HI / to LO	
Display rate	0.1 s - 1 s - 10 s (adjustable)	
Maximum voltage U_i	DC 30 V	
Maximum current I_i	100 mA (only for model DIH10-Ex)	
Maximum power P_i	1 W (only for model DIH10-Ex)	
Permissible temperatures		
Operating temperature	Model DIH10	0 ... 80 °C
	Model DIH10-Ex	0 ... 60 °C
Storage temperature	-20 ... +80 °C	
Dimensions	\varnothing 43.0 / 48.5 / 62.5 mm x 37 mm	
Housing material	Polycarbonate	
Ingress protection		
Case	IP65	
Connection	IP20 or IP00	
Weight	approx. 55 g	
Electrical connection	Plug-in terminal, up to 1.5 mm ² open cable ends	
Programmable features	<ul style="list-style-type: none"> ■ Scale range ■ Display time ■ Decimal point ■ Unit (°C/°F) ■ Zero point stabilisation ■ Programming lock ■ Interpolating points ■ TAG number 	

Display module, operator side

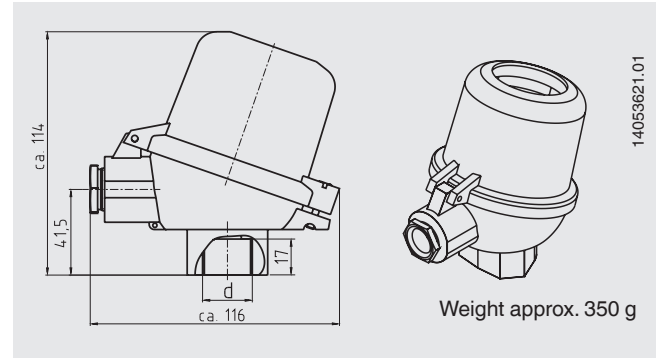


Dimensions in mm

Display module



Connection head "Standard", connection head BSZ-H Model DIH10-Z-*A (with DIH10), DIH10-Y-*A (with DIH10-Ex)



Connection head BSZ-H (standard)

Connection to thermometer d	<ul style="list-style-type: none"> ■ M24 x 1.5 ■ ½ NPT
Material	Aluminium blue, lacquered ¹⁾
Cable gland	<ul style="list-style-type: none"> ■ 1 x M20 x 1.5 ■ 1 x ½ NPT
Ingress protection	IP65

1) RAL 5022

Approvals

Logo	Description	Country
	EU declaration of conformity <ul style="list-style-type: none"> ■ EMC directive EN 61326 emission (group 1, class A) and interference immunity (industrial application) ■ ATEX directive (model DIH10-Ex) Hazardous areas 	European Community
	EAC (option) <ul style="list-style-type: none"> ■ EMC directive ■ Hazardous areas 	Eurasian Economic Community
	KazInMetr (option) Metrology, measurement technology	Kazakhstan
-	MTSCHS (option) Permission for commissioning	Kazakhstan

Certificates (option)

- 2.2 test report
- 3.1 inspection certificate
- DKD/DAkkS calibration certificate

Approvals and certificates, see website

Ordering information

Model / Explosion protection / Scale range/ Housing / Connection from connection head to neck tube / cable gland / Options

© 01/2014 WIKA Alexander Wiegand SE & Co. KG, all rights reserved.
The specifications given in this document represent the state of engineering at the time of publishing.
We reserve the right to make modifications to the specifications and materials.



WIKA Alexander Wiegand SE & Co. KG
Alexander-Wiegand-Straße 30
63911 Klingenberg/Germany
Tel. +49 9372 132-0
Fax +49 9372 132-406
info@wika.de
www.wika.de