

Gasdruckthermometer CrNi-Stahl-Ausführung Typ 73

WIKA-Datenblatt TM 73.01



Weitere Zulassungen
siehe Seite 10

Anwendungen

- Allgemeine Prozessinstrumentierung in der chemischen und petrochemische Industrie, Öl und Gas, Energie- und Wasser-/Abwasserwirtschaft
- Universeller Einsatz im Maschinen-, Anlagen-, Behälter-, Apparatebau und Lebensmittelindustrie
- Temperaturmessung ohne Messstoffberührung
- Einbau in Messtafeln, Steuerschränke und Schaltpulte

Leistungsmerkmale

- Anzeigebereiche von $-200 \dots +700 \text{ °C}$ [$-328 \dots +1.292 \text{ °F}$]
- Schnelles Ansprechverhalten
- Gehäuse und Tauchschaft aus CrNi-Stahl 316
- Verschiedene Anschlussbauformen und Befestigungen
- QR-Code auf dem Zifferblatt verlinkt auf gerätespezifische Informationen

Beschreibung

Das Gasdruckthermometer Typ 73 ist gemäß der Norm EN 13190 entwickelt und gefertigt. Das hochwertige Thermometer ist speziell für Anforderungen innerhalb der Prozessindustrie konzipiert. Vor allem in der Chemie und Petrochemie, Öl- und Gasindustrie sowie der Energietechnik wird das komplett aus CrNi-Stahl gefertigte Thermometer erfolgreich eingesetzt.

Zur optimalen Anpassung an den Prozess sind individuelle Einbaulängen und Prozessanschlüsse erhältlich. Die Thermometer haben eine hohe Schutzart von IP65 und können im Freien auch bei Minustemperaturen eingesetzt werden. Mit Flüssigkeitsdämpfung ist der Einsatz bei hohen Vibrationen möglich. Die Gasdruckthermometer Typ 73 können durch ihre unterschiedlichen Ausführungen an jeden Prozessanschluss und Prozessort bestens angepasst werden.



Abb. links: Anschlusslage unten (radial), Typ R73.100
Abb. Mitte: mit Fernleitung und Messgerätehalter, Typ F73.100
Abb. rechts: Anschluss rückseitig (axial), Typ A73.100

Bei der Ausführung mit Anliegeföhler kann die Temperatur selbst an kleinsten Rohrdurchmessern gemessen werden, ohne direkten Messstoffkontakt. Der Anliegeföhler ist vorgesehen zur Außenmontage an Rohren und Behältern.

Herrschen raue klimatische Bedingungen am Einsatzort, ist der Typ 73 die richtige Wahl, da er von -40 °C [-40 °F] ... $+60 \text{ °C}$ [$+140 \text{ °F}$] einsetzbar ist (In der POLARgauge®-Ausführung auch bis -50 °C [-58 °F] oder -70 °C [-94 °F]).

QR-Code auf dem Zifferblatt sind gerätespezifische Informationen wie z. B. Seriennummer, Bestellnummer, Zeugnisse und weitere Produktdaten einfach und langfristig im Internet abrufbar.

Technische Daten

Basisinformationen	
Norm	EN 13190
Nenngröße	<ul style="list-style-type: none"> ■ 100 mm [4"] ■ 160 mm [6"]
Sichtscheibe	<ul style="list-style-type: none"> ■ Mehrschichten-Sicherheitsglas ■ Polycarbonat
Anschlusslage	
A73.1x0	Rückseitig (axial)
R73.1x0	Unten (radial)
S73.1x0	Rückseitig, dreh- und schwenkbar
F73.1x0	Ausführung mit Fernleitung
Anschlussbauformen	
S	Standard (Gewindeanschluss, fest) ¹⁾
1	Anschluss glatt (ohne Gewinde)
2	Anschluss drehbar
3	Überwurfmutter
4	Klemmverschraubung (verschiebbar auf Tauchschaft)
5	Überwurfmutter und lose Verschraubung
6	Klemmverschraubung (verschiebbar auf Fernleitung bzw. Spiralschutzschlauch)
7	Klemmverschraubung am Gehäuse ¹⁾
Gehäuseausführung „dreh- und schwenkbar“	90° schwenkbar und 360° drehbar
Dämpfung	<ul style="list-style-type: none"> ■ Mit Flüssigkeitsdämpfung (Silikonöl) ■ Mit lebensmitteltauglicher Flüssigkeitsdämpfung
Werkstoffe (nicht-messstoffberührt)	
Gehäuse, Bajonettring	CrNi-Stahl 304
Zeiger	Aluminium, schwarz, Mikroverstellung
Gelenk „dreh- und schwenkbar“	CrNi-Stahl 304
Zifferblatt	Aluminium (weiß)

1) Nicht bei Ausführung mit Fernleitung

Messelement		
Art des Messelements	Gasdruck-Inertgasfüllung, physiologisch unbedenklich	
Verwendungsbereich		
Dauerbelastung (1 Jahr)	Messbereich nach EN 13190	
Kurzzeitig (max. 24 h)	Anzeigebereich nach EN 13190	
Werkstoffe Messwerk	<ul style="list-style-type: none"> ■ Kombination aus Messing und CrNi-Stahl ■ Komplett aus CrNi-Stahl 	
Fernleitung		
Durchmesser	Ø 2 mm [0,08 in]	
Spiralschutzschlauch	Ø 7 mm [0,28 in]	
Länge	Fernleitung ohne Spiralschutzschlauch	Max. 60 m [197 ft]
	Fernleitung mit Spiralschutzschlauch	Max. 40 m [131 ft]
	Fernleitung mit Spiralschutzschlauch und PVC-Beschichtung	Max. 20 m [66 ft]
Minimaler Biegeradius	Fernleitung ohne Spiralschutzschlauch	6 mm [0,24 in]
	Fernleitung mit Spiralschutzschlauch	20 mm [0,79 in]
	Fernleitung mit Spiralschutzschlauch und PVC-Beschichtung	30 mm [1,18 in]
Werkstoff	CrNi-Stahl 316	

Messelement	
Befestigungsarten bei Geräten mit Fernleitung	<ul style="list-style-type: none"> ■ Befestigungsrand hinten, CrNi-Stahl ■ Messgerätehalter, Alu-Druckguss ■ Befestigungsrand vorn, CrNi-Stahl ■ Dreikantfrontring mit Bügel, CrNi-Stahl
Anliegefühler	
Abmessungen	120 x 22 x 12 mm [4,72 x 4,8 x 0,47 in]
Montagearten	<ul style="list-style-type: none"> ■ Montage an Rohren ■ Montage an Behältern
Werkstoff	CrNi-Stahl 316

Genauigkeitsangaben	
Genauigkeitsklasse	Klasse 1 nach EN 13190 bei 23 °C ±10 °C Umgebungstemperatur

Anzeigebereich in °C	Messbereich in °C ¹⁾	Skalenteilungswert in °C	Fehlergrenze nach EN 13190 ±°C
-200 ... +50	-170 ... +20	5	5
-200 ... +100	-170 ... +70	5	5
-80 ... +60	-60 ... +40	2	2
-60 ... +40	-50 ... +30	1	1
-40 ... +60	-30 ... +50	1	1
-30 ... +50	-20 ... +40	1	1
-20 ... +60	-10 ... +50	1	1
-20 ... +80	-10 ... +70	1	1
0 ... 60	10 ... 50	1	1
0 ... 80	10 ... 70	1	1
0 ... 100	10 ... 90	1	1
0 ... 120	10 ... 110	2	2
0 ... 160	20 ... 140	2	2
0 ... 200	20 ... 180	2	2
0 ... 250	30 ... 220	5	2,5
0 ... 300	30 ... 270	5	5
0 ... 400	50 ... 350	5	5
0 ... 500	50 ... 450	5	5
0 ... 600	100 ... 500	10	10
50 ... 650	150 ... 550	10	10
0 ... 700	100 ... 600	10	10

1) Der Messbereich ist durch zwei Dreieckmarkierungen auf dem Zifferblatt begrenzt. Innerhalb dieses Bereichs gilt nach EN 13190 die genannte Fehlergrenze.

Weitere Angaben zu: Anzeigebereich		
Einheit	<ul style="list-style-type: none"> ■ °C ■ °F ■ °C/°F (Doppelteilung) 	
Zifferblatt		
Skalenteilung	<ul style="list-style-type: none"> ■ Einfachskale ■ Doppelskale 	
Skalenfarbe	Einfachskale	Schwarz
	Doppelskale	Rot
→ Weitere Farben auf Anfrage		

Prozessanschluss	
Gewindegröße	<ul style="list-style-type: none"> ■ Glatt, ohne Gewinde ■ G ½ B ■ ½ NPT ■ G ½ innen ■ ½ NPT innen ■ M20 x 1,5 ■ M24 x 1,5 innen <p>→ Weitere Gewinde auf Anfrage</p>
Werkstoffe (messstoffberührt)	CrNi-Stahl 316
Tauschschaft	
Durchmesser	<ul style="list-style-type: none"> ■ 6 mm [0,24 in] ■ 8 mm [0,32 in] ■ 10 mm [0,39 in] ■ 12 mm [0,47 in]
Schutzrohr	<p>Grundsätzlich ist der Betrieb eines mechanischen Thermometers ohne Schutzrohr bei geringen prozessseitigen Belastungen (geringer Druck, niedrige Viskosität und geringe Fließgeschwindigkeiten) möglich.</p> <p>Um jedoch einen Austausch des Thermometers während des laufenden Betriebs zu ermöglichen (z. B. Gerätetausch oder Kalibrierung) und einen erhöhten Schutz des Messgeräts sowie der Anlage und Umwelt sicherzustellen, wird zur Verwendung eines Schutzrohrs aus dem umfangreichen WIKA-Schutzrohrportfolio geraten.</p> <p>→ Weitere Informationen zur Berechnung des Schutzrohrs siehe technische Information IN 00.15.</p>

Einsatzbedingungen	
Umgebungstemperatur (am Gehäuse)	<ul style="list-style-type: none"> ■ -40 ... +60 °C [-40 ... +140 °F] ■ -50 ... +60 °C [-58 ... +140 °F] (erweiterter Bereich) ■ -70 ... +60 °C [-94 ... +140 °F] (Ausführung P[®]LARGauge)
Lagertemperatur	
Ohne Flüssigkeitsdämpfung	-50 ... +70 °C [-58 ... +158 °F]
Mit Flüssigkeitsdämpfung	-40 ... +70 °C [-40 ... +158 °F]
Max. Betriebsdruck am Tauschschaft	Max. 25 bar [363 psi], statisch
Schutzart nach IEC/EN 60529	<ul style="list-style-type: none"> ■ IP65 ■ IP66

Bauform	1			2 und 3			4 und 5			S		
Tauchschaft- durchmesser in mm [in]	6 [0,24]	8 [0,32]	≥ 10 [0,40]	6 [0,24]	8 [0,32]	≥ 10 [0,40]	6 [0,24]	8 [0,32]	≥ 10 [0,40]	6 [0,24]	8 [0,32]	≥ 10 [0,40]
Anzeigebereich in °C	Mindesteinbaulänge in mm [in]											
Typen A73 (Anschlusslage rückseitig) und R73 (Anschlusslage unten)												
-200 ... +50	80 [3,15]	80 [3,15]	80 [3,15]	70 [2,76]	70 [2,76]	70 [2,76]	60 [2,36]	60 [2,36]	60 [2,36]	75 [2,95]	75 [2,95]	75 [2,95]
-200 ... +100	80 [3,15]	80 [3,15]	80 [3,15]	70 [2,76]	70 [2,76]	70 [2,76]	60 [2,36]	60 [2,36]	60 [2,36]	75 [2,95]	75 [2,95]	75 [2,95]
-80 ... +60	95 [3,74]	60 [2,36]	60 [2,36]	95 [3,74]	60 [2,36]	60 [2,36]	90 [3,54]	60 [2,36]	60 [2,36]	110 [4,33]	75 [2,95]	75 [2,95]
-60 ... +40	105 [4,13]	70 [2,76]	60 [2,36]	105 [4,13]	70 [2,76]	60 [2,36]	100 [3,94]	65 [2,56]	60 [2,36]	120 [4,72]	85 [3,35]	75 [2,95]
-40 ... +60	105 [4,13]	70 [2,76]	60 [2,36]	105 [4,13]	70 [2,76]	60 [2,36]	100 [3,94]	65 [2,56]	60 [2,36]	120 [4,72]	85 [3,35]	75 [2,95]
-30 ... +50	125 [4,92]	75 [2,95]	60 [2,36]	125 [4,92]	75 [2,95]	60 [2,36]	120 [4,72]	70 [2,76]	60 [2,36]	140 [5,51]	90 [3,54]	75 [2,95]
-20 ... +60	125 [4,92]	85 [3,35]	60 [2,36]	125 [4,92]	85 [3,35]	60 [2,36]	120 [4,72]	80 [3,15]	60 [2,36]	140 [5,51]	100 [3,94]	75 [2,95]
-20 ... +80	105 [4,13]	70 [2,76]	60 [2,36]	105 [4,13]	70 [2,76]	60 [2,36]	100 [3,94]	65 [2,56]	60 [2,36]	120 [4,72]	85 [3,35]	75 [2,95]
0 ... 60	155 [6,10]	95 [3,74]	75 [2,95]	155 [6,10]	95 [3,74]	75 [2,95]	150 [5,91]	90 [3,54]	70 [2,76]	170 [6,69]	110 [4,33]	90 [3,54]
0 ... 80	125 [4,92]	85 [3,35]	60 [2,36]	125 [4,92]	85 [3,35]	60 [2,36]	120 [4,72]	80 [3,15]	60 [2,36]	140 [5,51]	100 [3,94]	75 [2,95]
0 ... 100	115 [4,53]	75 [2,95]	60 [2,36]	115 [4,53]	75 [2,95]	60 [2,36]	110 [4,33]	70 [2,76]	60 [2,36]	130 [5,12]	90 [3,54]	75 [2,95]
0 ... 120	95 [3,74]	70 [2,76]	60 [2,36]	95 [3,74]	70 [2,76]	60 [2,36]	90 [3,54]	65 [2,56]	60 [2,36]	110 [4,33]	85 [3,35]	75 [2,95]
0 ... 160	95 [3,74]	60 [2,36]	60 [2,36]	95 [3,74]	60 [2,36]	60 [2,36]	90 [3,54]	60 [2,36]	60 [2,36]	110 [4,33]	75 [2,95]	75 [2,95]
0 ... 200	95 [3,74]	60 [2,36]	60 [2,36]	95 [3,74]	60 [2,36]	60 [2,36]	90 [3,54]	60 [2,36]	60 [2,36]	110 [4,33]	75 [2,95]	75 [2,95]
0 ... 250	75 [2,95]	60 [2,36]	60 [2,36]	75 [2,95]	60 [2,36]	60 [2,36]	70 [2,76]	60 [2,36]	60 [2,36]	90 [3,54]	75 [2,95]	75 [2,95]
0 ... 300	105 [4,13]	90 [3,54]	90 [3,54]	95 [3,74]	80 [3,15]	80 [3,15]	70 [2,76]	60 [2,36]	60 [2,36]	90 [3,54]	75 [2,95]	75 [2,95]
0 ... 400	105 [4,13]	90 [3,54]	90 [3,54]	95 [3,74]	80 [3,15]	80 [3,15]	70 [2,76]	60 [2,36]	60 [2,36]	90 [3,54]	75 [2,95]	75 [2,95]
0 ... 500	165 [6,50]	130 [5,12]	130 [5,12]	155 [6,10]	120 [4,72]	120 [4,72]	125 [4,92]	90 [3,54]	90 [3,54]	150 [5,91]	115 [4,53]	115 [4,53]
0 ... 600	145 [5,71]	130 [5,12]	130 [5,12]	135 [5,31]	120 [4,72]	120 [4,72]	105 [4,13]	90 [3,54]	90 [3,54]	130 [5,12]	115 [4,53]	115 [4,53]
50 ... 650	155 [6,10]	130 [5,12]	130 [5,12]	125 [4,92]	100 [3,94]	100 [3,94]	115 [4,53]	90 [3,54]	90 [3,54]	140 [5,51]	115 [4,53]	115 [4,53]
0 ... 700	165 [6,50]	145 [5,71]	130 [5,12]	155 [6,10]	135 [5,31]	120 [4,72]	125 [4,92]	105 [4,13]	90 [3,54]	150 [5,91]	130 [5,12]	115 [4,53]

Bauform	1			2 und 3			4 und 5			S			
Tauchschaft- durchmesser in mm [in]	6 [0,24]	8 [0,32]	≥ 10 [0,40]	6 [0,24]	8 [0,32]	≥ 10 [0,40]	6 [0,24]	8 [0,32]	≥ 10 [0,40]	6 [0,24]	8 [0,32]	≥ 10 [0,40]	
Anzeigebereich in °C	Mindesteinbaulänge in mm [in]												
Typ S73 (Anschlusslage rückseitig, dreh- und schwenkbar)													
-200 ... +50	60 [2,36]	60 [2,36]	60 [2,36]	60 [2,36]	60 [2,36]	60 [2,36]	60 [2,36]	60 [2,36]	60 [2,36]	60 [2,36]	65 [2,56]	65 [2,56]	65 [2,56]
-200 ... +100	60 [2,36]	60 [2,36]	60 [2,36]	60 [2,36]	60 [2,36]	60 [2,36]	60 [2,36]	60 [2,36]	60 [2,36]	60 [2,36]	65 [2,56]	65 [2,56]	65 [2,56]
-80 ... +60	80 [3,15]	60 [2,36]	60 [2,36]	80 [3,15]	60 [2,36]	60 [2,36]	90 [3,54]	60 [2,36]	60 [2,36]	60 [2,36]	100 [3,94]	65 [2,56]	65 [2,56]
-60 ... +40	90 [3,54]	60 [2,36]	60 [2,36]	90 [3,54]	60 [2,36]	60 [2,36]	100 [3,94]	65 [2,56]	60 [2,36]	60 [2,36]	110 [4,33]	75 [2,95]	65 [2,56]
-40 ... +60	90 [3,54]	60 [2,36]	60 [2,36]	90 [3,54]	60 [2,36]	60 [2,36]	100 [3,94]	65 [2,56]	60 [2,36]	60 [2,36]	110 [4,33]	75 [2,95]	65 [2,56]
-30 ... +50	110 [4,33]	60 [2,36]	60 [2,36]	110 [4,33]	60 [2,36]	60 [2,36]	120 [4,72]	70 [2,76]	60 [2,36]	60 [2,36]	130 [5,12]	80 [3,15]	65 [2,56]
-20 ... +60	110 [4,33]	70 [2,76]	60 [2,36]	110 [4,33]	70 [2,76]	60 [2,36]	120 [4,72]	80 [3,15]	60 [2,36]	60 [2,36]	130 [5,12]	90 [3,54]	65 [2,56]
-20 ... +80	90 [3,54]	60 [2,36]	60 [2,36]	90 [3,54]	60 [2,36]	60 [2,36]	100 [3,94]	65 [2,56]	60 [2,36]	60 [2,36]	110 [4,33]	75 [2,95]	65 [2,56]
0 ... 60	140 [5,51]	80 [3,15]	60 [2,36]	140 [5,51]	80 [3,15]	60 [2,36]	150 [5,91]	90 [3,54]	70 [2,76]	70 [2,76]	160 [6,30]	100 [3,94]	80 [3,15]
0 ... 80	110 [4,33]	70 [2,76]	60 [2,36]	110 [4,33]	70 [2,76]	60 [2,36]	120 [4,72]	80 [3,15]	60 [2,36]	60 [2,36]	130 [5,12]	90 [3,54]	65 [2,56]
0 ... 100	100 [3,94]	60 [2,36]	60 [2,36]	100 [3,94]	60 [2,36]	60 [2,36]	110 [4,33]	70 [2,76]	60 [2,36]	60 [2,36]	120 [4,72]	80 [3,15]	65 [2,56]
0 ... 120	80 [3,15]	60 [2,36]	60 [2,36]	80 [3,15]	60 [2,36]	60 [2,36]	90 [3,54]	65 [2,56]	60 [2,36]	60 [2,36]	100 [3,94]	75 [2,95]	65 [2,56]
0 ... 160	80 [3,15]	60 [2,36]	60 [2,36]	80 [3,15]	60 [2,36]	60 [2,36]	90 [3,54]	60 [2,36]	60 [2,36]	60 [2,36]	100 [3,94]	65 [2,56]	65 [2,56]
0 ... 200	80 [3,15]	60 [2,36]	60 [2,36]	80 [3,15]	60 [2,36]	60 [2,36]	90 [3,54]	60 [2,36]	60 [2,36]	60 [2,36]	100 [3,94]	65 [2,56]	65 [2,56]
0 ... 250	60 [2,36]	60 [2,36]	60 [2,36]	60 [2,36]	60 [2,36]	60 [2,36]	70 [2,76]	60 [2,36]	60 [2,36]	60 [2,36]	80 [3,15]	65 [2,56]	65 [2,56]
0 ... 300	60 [2,36]	60 [2,36]	60 [2,36]	60 [2,36]	60 [2,36]	60 [2,36]	70 [2,76]	60 [2,36]	60 [2,36]	60 [2,36]	80 [3,15]	65 [2,56]	65 [2,56]
0 ... 400	60 [2,36]	60 [2,36]	60 [2,36]	60 [2,36]	60 [2,36]	60 [2,36]	70 [2,76]	60 [2,36]	60 [2,36]	60 [2,36]	80 [3,15]	65 [2,56]	65 [2,56]
0 ... 500	120 [4,72]	85 [3,35]	85 [3,35]	120 [4,72]	85 [3,35]	85 [3,35]	90 [3,54]	60 [2,36]	60 [2,36]	60 [2,36]	135 [5,31]	100 [3,94]	100 [3,94]
0 ... 600	100 [3,94]	85 [3,35]	85 [3,35]	100 [3,94]	85 [3,35]	85 [3,35]	70 [2,76]	60 [2,36]	60 [2,36]	60 [2,36]	115 [4,53]	100 [3,94]	100 [3,94]
50 ... 650	110 [4,33]	85 [3,35]	85 [3,35]	100 [3,94]	75 [2,95]	75 [2,95]	75 [2,95]	60 [2,36]	60 [2,36]	60 [2,36]	125 [4,92]	100 [3,94]	100 [3,94]
0 ... 700	120 [4,72]	100 [3,94]	85 [3,35]	120 [4,72]	100 [3,94]	85 [3,35]	90 [3,54]	70 [2,76]	60 [2,36]	60 [2,36]	135 [5,31]	115 4,53	100 [3,94]



Bauform	1			2 und 3			4 und 5			S		
Tauchschaft- durchmesser in mm [in]	6 [0,24]	8 [0,32]	≥ 10 [0,40]	6 [0,24]	8 [0,32]	≥ 10 [0,40]	6 [0,24]	8 [0,32]	≥ 10 [0,40]	6 [0,24]	8 [0,32]	≥ 10 [0,40]
Anzeigebereich in °C	Mindesteinbaulänge in mm [in]											
Typ F73 (Fernleitung ≤ 5 m [16 ft])												
-200 ... +50	95 [3,74]	70 [2,76]	70 [2,76]	90 [3,54]	65 [2,56]	65 [2,56]	80 [3,15]	60 [2,36]	60 [2,36]	-	-	-
-200 ... +100	95 [3,74]	70 [2,76]	70 [2,76]	90 [3,54]	65 [2,56]	65 [2,56]	80 [3,15]	60 [2,36]	60 [2,36]	-	-	-
-80 ... +60	115 [4,53]	80 [3,15]	70 [2,76]	110 [4,33]	75 [2,95]	65 [2,56]	100 [3,94]	65 [2,56]	60 [2,36]	-	-	-
-60 ... +40	135 [5,31]	95 [3,74]	70 [2,76]	130 [5,12]	90 [3,54]	65 [2,56]	120 [4,72]	80 [3,15]	60 [2,36]	-	-	-
-40 ... +60	135 [5,31]	95 [3,74]	70 [2,76]	130 [5,12]	90 [3,54]	65 [2,56]	120 [4,72]	80 [3,15]	60 [2,36]	-	-	-
-30 ... +50	145 [5,71]	105 [4,13]	75 [2,95]	140 [5,51]	100 [3,94]	70 [2,76]	130 [5,12]	90 [3,54]	60 [2,36]	-	-	-
-20 ... +60	145 [5,71]	105 [4,13]	75 [2,95]	140 [5,51]	100 [3,94]	70 [2,76]	130 [5,12]	90 [3,54]	60 [2,36]	-	-	-
-20 ... +80	135 [5,31]	95 [3,74]	70 [2,76]	130 [5,12]	90 [3,54]	65 [2,56]	120 [4,72]	80 [3,15]	60 [2,36]	-	-	-
0 ... 60	165 [6,50]	115 [4,53]	85 [3,35]	160 [6,30]	110 [4,33]	80 [3,15]	150 [5,91]	100 [3,94]	70 [2,76]	-	-	-
0 ... 80	155 [6,10]	105 [4,13]	75 [2,95]	150 [5,91]	100 [3,94]	70 [2,76]	140 [5,51]	90 [3,54]	60 [2,36]	-	-	-
0 ... 100	135 [5,31]	95 [3,74]	70 [2,76]	130 [5,12]	90 [3,54]	65 [2,56]	120 [4,72]	80 [3,15]	60 [2,36]	-	-	-
0 ... 120	125 [4,92]	85 [3,35]	70 [2,76]	120 [4,72]	80 [3,15]	65 [2,56]	110 [4,33]	70 [2,76]	60 [2,36]	-	-	-
0 ... 160	115 [4,53]	80 [3,15]	70 [2,76]	110 [4,33]	75 [2,95]	65 [2,56]	100 [3,94]	65 [2,56]	60 [2,36]	-	-	-
0 ... 200	105 [4,13]	80 [3,15]	70 [2,76]	100 [3,94]	75 [2,95]	65 [2,56]	90 [3,54]	65 [2,56]	60 [2,36]	-	-	-
0 ... 250	105 [4,13]	70 [2,76]	70 [2,76]	100 [3,94]	65 [2,56]	65 [2,56]	90 [3,54]	60 [2,36]	60 [2,36]	-	-	-
0 ... 300	95 [3,74]	70 [2,76]	70 [2,76]	90 [3,54]	65 [2,56]	65 [2,56]	80 [3,15]	60 [2,36]	60 [2,36]	-	-	-
0 ... 400	95 [3,74]	70 [2,76]	70 [2,76]	90 [3,54]	65 [2,56]	65 [2,56]	80 [3,15]	60 [2,36]	60 [2,36]	-	-	-
0 ... 500	115 [4,53]	70 [2,76]	70 [2,76]	110 [4,33]	65 [2,56]	65 [2,56]	100 [3,94]	60 [2,36]	60 [2,36]	-	-	-
0 ... 600	95 [3,74]	70 [2,76]	70 [2,76]	90 [3,54]	65 [2,56]	65 [2,56]	80 [3,15]	60 [2,36]	60 [2,36]	-	-	-
50 ... 650	75 [2,95]	70 [2,76]	70 [2,76]	80 [3,15]	80 [3,15]	60 [2,36]	50 [1,97]	60 [2,36]	60 [2,36]	-	-	-
0 ... 700	115 [4,53]	80 [3,15]	70 [2,76]	110 [4,33]	75 [2,95]	65 [2,56]	100 [3,94]	65 [2,56]	60 [2,36]	-	-	-

Bauform	1			2 und 3			4 und 5			S		
Tauchschaft- durchmesser in mm [in]	6 [0,24]	8 [0,32]	≥ 10 [0,40]	6 [0,24]	8 [0,32]	≥ 10 [0,40]	6 [0,24]	8 [0,32]	≥ 10 [0,40]	6 [0,24]	8 [0,32]	≥ 10 [0,40]
Anzeigebereich in °C	Mindesteinbaulänge in mm [in]											
Typ F73 (Fernleitung > 5 ... 10 m [16 ... 33 ft])												
-200 ... +50	115 [4,53]	80 [3,15]	70 [2,76]	110 [4,33]	75 [2,95]	65 [2,56]	100 [3,94]	65 [2,56]	60 [2,36]	-	-	-
-200 ... +100	115 [4,53]	80 [3,15]	70 [2,76]	110 [4,33]	75 [2,95]	65 [2,56]	100 [3,94]	65 [2,56]	60 [2,36]	-	-	-
-80 ... +60	135 [5,31]	95 [3,74]	70 [2,76]	130 [5,12]	90 [3,54]	65 [2,56]	120 [4,72]	80 [3,15]	60 [2,36]	-	-	-
-60 ... +40	155 [6,10]	105 [4,13]	75 [2,95]	150 [5,91]	100 [3,94]	70 [2,76]	140 [5,51]	90 [3,54]	60 [2,36]	-	-	-
-40 ... +60	155 [6,10]	105 [4,13]	75 [2,95]	150 [5,91]	100 [3,94]	70 [2,76]	140 [5,51]	90 [3,54]	60 [2,36]	-	-	-
-30 ... +50	165 [6,50]	115 [4,53]	85 [3,35]	160 [6,30]	110 [4,33]	80 [3,15]	150 [5,91]	100 [3,94]	70 [2,76]	-	-	-
-20 ... +60	175 [6,89]	115 [4,53]	85 [3,35]	170 [6,69]	110 [4,33]	80 [3,15]	160 [6,30]	100 [3,94]	70 [2,76]	-	-	-
-20 ... +80	155 [6,10]	105 [4,13]	75 [2,95]	150 [5,91]	100 [3,94]	70 [2,76]	140 [5,51]	90 [3,54]	60 [2,36]	-	-	-
0 ... 60	185 [7,28]	125 [4,92]	95 [3,74]	180 [7,09]	120 [4,72]	90 [3,54]	170 [6,69]	110 [4,33]	80 [3,15]	-	-	-
0 ... 80	175 [6,89]	115 [4,53]	85 [3,35]	170 [6,69]	110 [4,33]	80 [3,15]	160 [6,30]	100 [3,94]	70 [2,76]	-	-	-
0 ... 100	155 [6,10]	105 [4,13]	85 [3,35]	150 [5,91]	100 [3,94]	80 [3,15]	140 [5,51]	90 [3,54]	70 [2,76]	-	-	-
0 ... 120	145 [5,71]	105 [4,13]	75 [2,95]	140 [5,51]	100 [3,94]	70 [2,76]	130 [5,12]	90 [3,54]	60 [2,36]	-	-	-
0 ... 160	135 [5,31]	95 [3,74]	70 [2,76]	130 [5,12]	90 [3,54]	65 [2,56]	120 [4,72]	80 [3,15]	60 [2,36]	-	-	-
0 ... 200	125 [4,92]	85 [3,35]	70 [2,76]	120 [4,72]	80 [3,15]	65 [2,56]	110 [4,33]	70 [2,76]	60 [2,36]	-	-	-
0 ... 250	125 [4,92]	85 [3,35]	70 [2,76]	120 [4,72]	80 [3,15]	65 [2,56]	110 [4,33]	70 [2,76]	60 [2,36]	-	-	-
0 ... 300	115 [4,53]	80 [3,15]	70 [2,76]	110 [4,33]	75 [2,95]	65 [2,56]	100 [3,94]	65 [2,56]	60 [2,36]	-	-	-
0 ... 400	115 [4,53]	80 [3,15]	70 [2,76]	110 [4,33]	75 [2,95]	65 [2,56]	100 [3,94]	65 [2,56]	60 [2,36]	-	-	-
0 ... 500	135 [5,31]	95 [3,74]	70 [2,76]	130 [5,12]	90 [3,54]	65 [2,56]	120 [4,72]	80 [3,15]	60 [2,36]	-	-	-
0 ... 600	115 [4,53]	80 [3,15]	70 [2,76]	110 [4,33]	75 [2,95]	65 [2,56]	100 [3,94]	65 [2,56]	60 [2,36]	-	-	-
50 ... 650	115 [4,53]	70 [2,76]	70 [2,76]	120 [4,72]	60 [2,36]	60 [2,36]	130 [5,12]	65 [2,56]	60 [2,36]	-	-	-
0 ... 700	145 [5,71]	95 [3,74]	70 [2,76]	140 [5,51]	90 [3,54]	65 [2,56]	130 [5,12]	80 [3,15]	60 [2,36]	-	-	-

Bauform	1			2 und 3			4 und 5			S		
Tauchschaft- durchmesser in mm [in]	6 [0,24]	8 [0,32]	≥ 10 [0,40]	6 [0,24]	8 [0,32]	≥ 10 [0,40]	6 [0,24]	8 [0,32]	≥ 10 [0,40]	6 [0,24]	8 [0,32]	≥ 10 [0,40]
Anzeigebereich in °C	Mindesteinbaulänge in mm [in]											
Typ F73 (Fernleitung > 10 ... 15 m [33 ... 49 ft])												
-200 ... +50	135 [5,31]	95 [3,74]	70 [2,76]	130 [5,12]	90 [3,54]	65 [2,56]	120 [4,72]	80 [3,15]	60 [2,36]	-	-	-
-200 ... +100	135 [5,31]	95 [3,74]	70 [2,76]	130 [5,12]	90 [3,54]	65 [2,56]	120 [4,72]	80 [3,15]	60 [2,36]	-	-	-
-80 ... +60	155 [6,10]	105 [4,13]	85 [3,35]	150 [5,91]	100 [3,94]	80 [3,15]	140 [5,51]	90 [3,54]	70 [2,76]	-	-	-
-60 ... +40	175 [6,89]	115 [4,53]	85 [3,35]	170 [6,69]	110 [4,33]	80 [3,15]	160 [6,30]	100 [3,94]	70 [2,76]	-	-	-
-40 ... +60	175 [6,89]	115 [4,53]	85 [3,35]	170 [6,69]	110 [4,33]	80 [3,15]	160 [6,30]	100 [3,94]	70 [2,76]	-	-	-
-30 ... +50	185 [7,28]	125 [4,92]	95 [3,74]	180 [7,09]	120 [4,72]	90 [3,54]	170 [6,69]	110 [4,33]	80 [3,15]	-	-	-
-20 ... +60	185 [7,28]	125 [4,92]	95 [3,74]	180 [7,09]	120 [4,72]	90 [3,54]	170 [6,69]	110 [4,33]	80 [3,15]	-	-	-
-20 ... +80	175 [6,89]	115 [4,53]	85 [3,35]	170 [6,69]	110 [4,33]	80 [3,15]	160 [6,30]	100 [3,94]	70 [2,76]	-	-	-
0 ... 60	205 [8,07]	135 [5,31]	95 [3,74]	200 [7,87]	130 [5,12]	90 [3,54]	190 [7,48]	120 [4,72]	80 [3,15]	-	-	-
0 ... 80	195 [7,68]	125 [4,92]	95 [3,74]	190 [7,48]	120 [4,72]	90 [3,54]	180 [7,09]	110 [4,33]	80 [3,15]	-	-	-
0 ... 100	175 [6,89]	115 [4,53]	85 [3,35]	170 [6,69]	110 [4,33]	80 [3,15]	160 [6,30]	100 [3,94]	70 [2,76]	-	-	-
0 ... 120	165 [6,50]	115 [4,53]	85 [3,35]	160 [6,30]	110 [4,33]	80 [3,15]	150 [5,91]	100 [3,94]	70 [2,76]	-	-	-
0 ... 160	155 [6,10]	105 [4,13]	85 [3,35]	150 [5,91]	100 [3,94]	80 [3,15]	140 [5,51]	90 [3,54]	70 [2,76]	-	-	-
0 ... 200	145 [5,71]	105 [4,13]	75 [2,95]	140 [5,51]	100 [3,94]	70 [2,76]	130 [5,12]	90 [3,54]	60 [2,36]	-	-	-
0 ... 250	145 [5,71]	95 [3,74]	75 [2,95]	140 [5,51]	90 [3,54]	70 [2,76]	130 [5,12]	80 [3,15]	60 [2,36]	-	-	-
0 ... 300	135 [5,31]	95 [3,74]	70 [2,76]	130 [5,12]	90 [3,54]	65 [2,56]	120 [4,72]	80 [3,15]	60 [2,36]	-	-	-
0 ... 400	135 [5,31]	95 [3,74]	70 [2,76]	130 [5,12]	90 [3,54]	65 [2,56]	120 [4,72]	80 [3,15]	60 [2,36]	-	-	-
0 ... 500	135 [5,31]	95 [3,74]	70 [2,76]	130 [5,12]	90 [3,54]	65 [2,56]	120 [4,72]	80 [3,15]	60 [2,36]	-	-	-
0 ... 600	135 [5,31]	95 [3,74]	70 [2,76]	130 [5,12]	90 [3,54]	65 [2,56]	120 [4,72]	80 [3,15]	60 [2,36]	-	-	-
50 ... 650	135 [5,31]	70 [2,76]	70 [2,76]	135 [5,31]	80 [3,15]	60 [2,36]	150 [5,91]	90 [3,54]	60 [2,36]	-	-	-
0 ... 700	175 [6,89]	105 [4,13]	75 [2,95]	170 [6,69]	100 [3,94]	70 [2,76]	160 [6,30]	90 [3,54]	60 [2,36]	-	-	-

Mindesteinbaulängen in Verbindung mit Fernleitung > 15 m [49 ft] zuvor auf technische Machbarkeit prüfen.

Optionale Zulassungen

Logo	Beschreibung	Region
	EU-Konformitätserklärung	Europäische Union
	ATEX-Richtlinie Explosionsgefährdete Bereiche Zone 1 Gas II 2G Ex h IIC T6 ... T1 Gb X Zone 21 Staub II 2D Ex h IIIC T85 ... T450 °C Db X	
	EAC	Eurasische Wirtschaftsge- meinschaft
	EMV-Richtlinie	
	Explosionsgefährdete Bereiche Zone 1 Gas I Ex h IIC T6 ... T1 Gb X Zone 21 Staub Ex h T85°C ... T450°C Db X	
-	MChS Genehmigung zur Inbetriebnahme	Kasachstan
-	PAC Ukraine Metrologie, Messtechnik	Ukraine

Zertifikate/Zeugnisse

Zertifikate/Zeugnisse	
Zeugnisse	<ul style="list-style-type: none"> ■ 2.2-Werkszeugnis ■ 3.1-Abnahmeprüfzeugnis
Kalibrierung	DAkKS-Kalibrierzertifikat

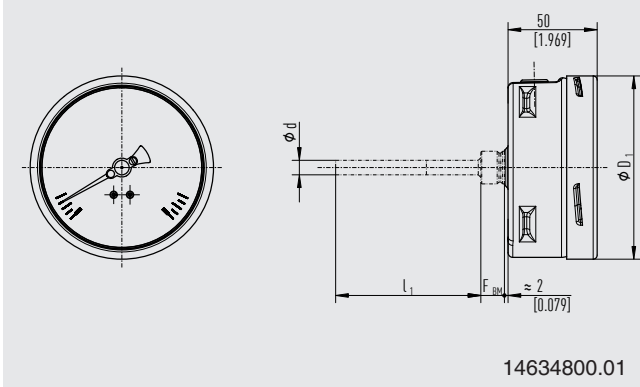
→ Zulassungen und Zertifikate siehe Webseite

Anschlusslagen

Legende

- G Anschlussgewinde
- i Gewindelänge (inkl. Bund)
- $\varnothing d_4$ Dichtbunddurchmesser
- SW Schlüsselweite
- $\varnothing d$ Tauchschaftdurchmesser
- l_1 Einbaulänge
- l_2 Aktive Länge
- F xx Abstandsmaß bis Tauchschaft
- LF Fernleitungslänge

Typ A73, Anschlusslage rückseitig

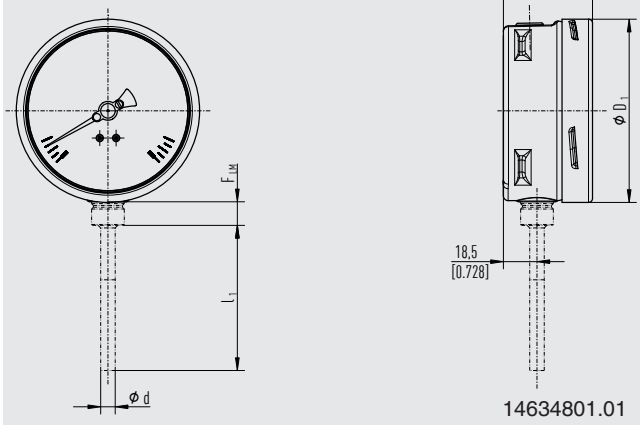


NG	$\varnothing D_1$ in mm [in]
100	101 [3,98]
160	161 [6,34]

Design	$F_{BM}^{1)}$	Anschluss
S	30 [1,18]	G ½ - Außen
1	13 [0,51]	$\varnothing 18$
2	35 [1,38]	G ½ - Außen
3	15 [0,59]	G ½ - Innen
4	53 [2,09]	G ½ - Außen
5	50 [1,97]	G ½ - Außen
7	53 [2,09]	G ½ - Außen

1) Zusätzlich +40 mm [1,57 in] für Geräte mit: Anzeigebereichsende: ≥ 300 °C [572 °F], Anzeigebereichsanfang: -200 °C [-328 °F]

Typ R73, Anschlusslage unten



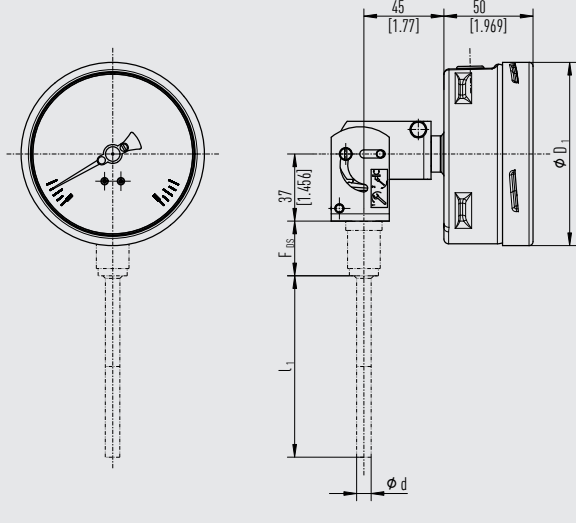
NG	$\varnothing D_1$ in mm [in]
100	101 [3,98]
160	161 [6,34]

Design	$F_{LM}^{1)}$	Anschluss
S	30 [1,18]	G ½ - Außen
1	13 [0,51]	$\varnothing 18$
2	35 [1,38]	G ½ - Außen
3	15 [0,59]	G ½ - Innen
4	53 [2,09]	G ½ - Außen
5	50 [1,97]	G ½ - Außen
7	53 [2,09]	G ½ - Außen

1) Zusätzlich +40 mm [1,57 inch] für Geräte mit: Anzeigebereichsende: ≥ 300 °C [572 °F], Anzeigebereichsanfang: -200 °C [-328 °F]

Typ S73, Anschlusslage rückseitig,
dreh- und schwenkbar

3073254.02

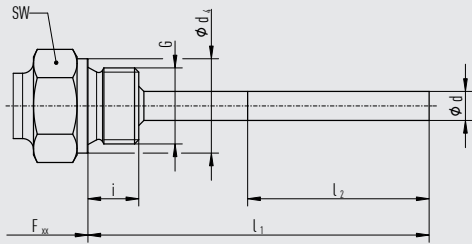


NG	Ø D ₁ in mm [in]
100	101 [3,98]
160	161 [6,34]

Design	F _{DS}	Anschluss
S	17,5 [0,69]	G ½ - Außen
1	28 [1,10]	Ø 18
2	38 [1,50]	G ½ - Außen
3	30 [1,18]	G ½ - Innen
4	68 [2,68]	G ½ - Außen
	68 [2,68]	G ½ - Außen
5	55 [2,68]	G ½ - Außen
7	68 [2,68]	G ½ - Außen

Anschlussbauformen für Anschlusslagen rückseitig, unten und rückseitig dreh- und schwenkbar

Bauform: Standard (Gewindeanschluss, fest)

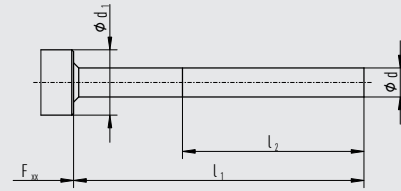


3073050.07

Prozessanschluss	Abmessungen in mm [in]		
G	i	SW	d ₄
G ½ B	14 [0,55]	27 [1,06]	26 [1,02]
G ¾ B	16 [0,63]	32 [1,26]	32 [1,26]
½ NPT	19 [0,75]	22 [0,87]	-
¾ NPT	20 [0,79]	30 [1,18]	-

Standard-Einbaulänge $l_1 = 63, 100, 160, 200, 250$ mm
[2,48, 3,94, 6,3, 7,87, 9,84 in]

Bauform 1, Anschluss glatt (ohne Gewinde)



3073050.07

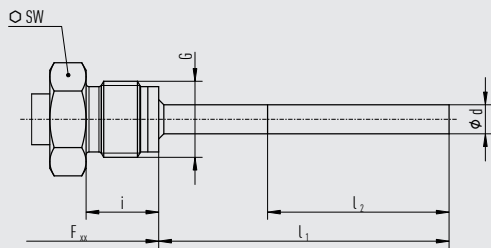
Abmessungen in mm [in]

Ø d₁

18 [0,7]

Standard-Einbaulänge $l_1 = 100, 140, 200, 240, 290$ mm
[3,94, 5,12, 7,87, 9,45, 11,42 in]
Basis für Bauform 4, Klemmverschraubung

Bauform 2, Anschluss drehbar

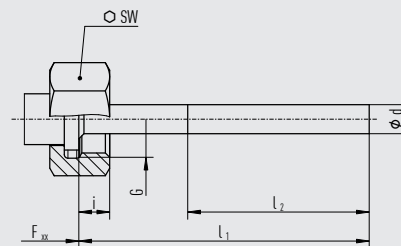


3073050.07

Prozessanschluss	Abmessungen in mm [in]	
G	i	SW
G ½ B	20 [0,79]	27 [1,06]
M18 x 1,5	15 [0,59]	22 [0,89]

Standard-Einbaulänge $l_1 = 80, 140, 180, 230$ mm
[3,15, 5,12, 7,09, 9,06 in]

Bauform 3, Überwurfmutter



3073050.07

Abmessungen in mm [in]

Prozessanschluss

G

G ½ B

G ¾ B

M24 x 1,5

i

14 [0,55]

16 [0,63]

13,5 [0,53]

SW

27 [1,06]

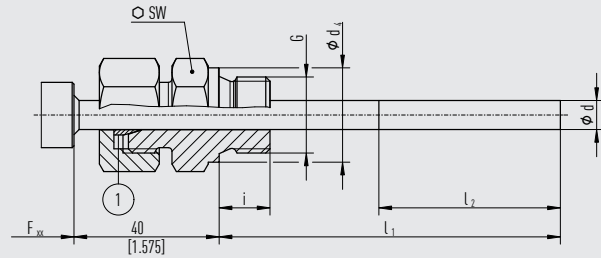
32 [1,26]

32 [1,26]

Standard-Einbaulänge $l_1 = 89, 126, 186, 226, 276$ mm
[3,50, 4,96, 7,32, 8,9, 10,87 in]

Bauform 4, Klemmverschraubung verschiebbar auf Tauchschaft

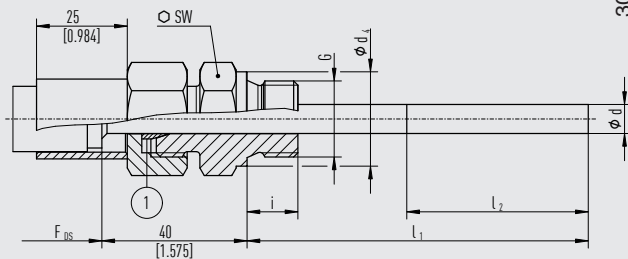
3073050.07



① Dichtring

Bauform 4.1, Klemmverschraubung mit Stützrohr verschiebbar auf Tauchschaft

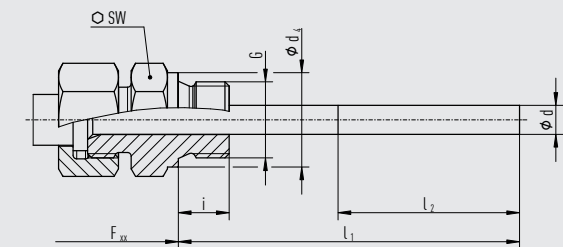
3073050.07



① Dichtring

Bauform 5, Überwurfmutter und lose Verschraubung

3073050.07



Prozess-anschluss	Abmessungen in mm [in]		
	i	SW	Ø d ₄
G ½ B	14 [0,55]	27 [1,06]	26 [1,02]
G ¾ B	16 [0,63]	32 [1,26]	32 [1,26]
M18 x 1,5	12 [0,47]	24 [0,95]	23 [0,91]
½ NPT	19 [0,75]	22 [0,87]	-
¾ NPT	20 [0,79]	30 [1,18]	-

Einbaulänge l₁ = variabel

Prozess-anschluss	Abmessungen in mm [in]		
	i	SW	Ø d ₄
G ½ B	14 [0,55]	27 [1,06]	26 [1,02]
G ¾ B	16 [0,63]	32 [1,26]	32 [1,26]
M18 x 1,5	12 [0,47]	24 [0,95]	23 [0,91]
½ NPT	19 [0,75]	22 [0,87]	-
¾ NPT	20 [0,79]	30 [1,18]	-

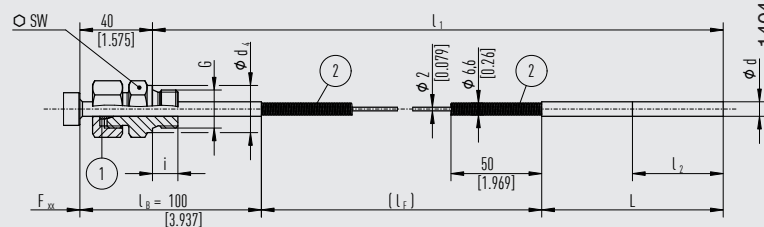
Einbaulänge l₁ = variabel

Prozess-anschluss	Abmessungen in mm [in]		
	i	SW	d ₄
G ½ B	14 [0,55]	27 [1,06]	26 [1,02]
G ¾ B	16 [0,63]	32 [1,26]	32 [1,26]
M18 x 1,5	12 [0,47]	24 [0,95]	23 [0,91]
½ NPT	19 [0,75]	22 [0,87]	-
¾ NPT	20 [0,79]	30 [1,18]	-

Einbaulänge l₁ = variabel

Bauform 7, Klemmverschraubung am Gehäuse

14042662.04



① Dichtring

② Knickschutz (entfällt bei Ø d = 6 mm [0,24 in])

Einbaulänge l₁ = ≥ 400 mm [15,75 in]

Fühlerlänge L = 200 mm [7,87 in] bei Ø d = 6 mm

170 mm [6,69 in] bei Ø d = 8 mm

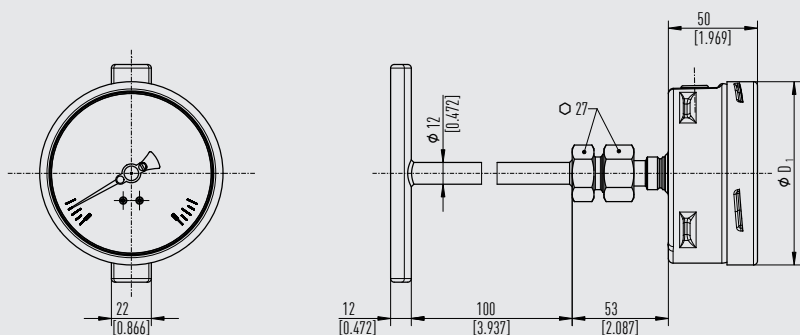
100 mm [3,94 in] bei Ø d = ≥ 10 mm

l_B = 100 mm [3,94 in], weitere auf Anfrage

Prozess-anschluss	Abmessungen in mm [in]		
	i	SW	d ₄
G ½ B	14 [0,55]	27 [1,06]	26 [1,02]
G ¾ B	16 [0,63]	32 [1,26]	32 [1,26]
M18 x 1,5	12 [0,47]	24 [0,95]	23 [0,91]
½ NPT	19 [0,75]	22 [0,87]	-
¾ NPT	20 [0,79]	30 [1,18]	-

Anschlusslagen rückseitig, unten und rückseitig dreh- und schwenkbar mit Anliegeföhler

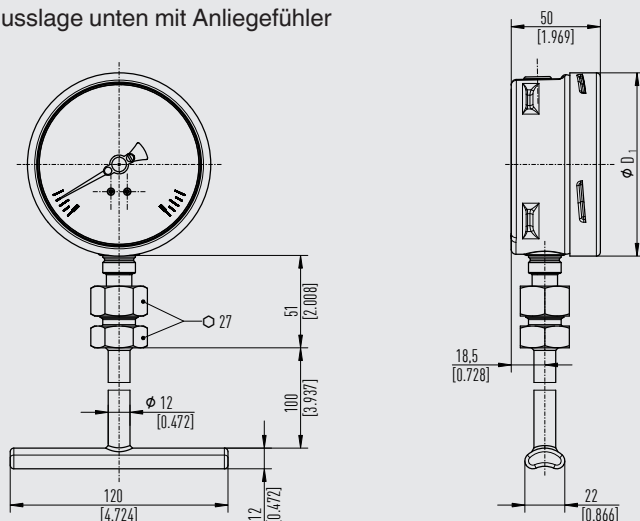
Anschlusslage rückseitig mit Anliegeföhler



3107884.06

Nenngröße	Ø D ₁ in mm [in]
100	101 [3,98]
160	161 [6,34]

Anschlusslage unten mit Anliegeföhler

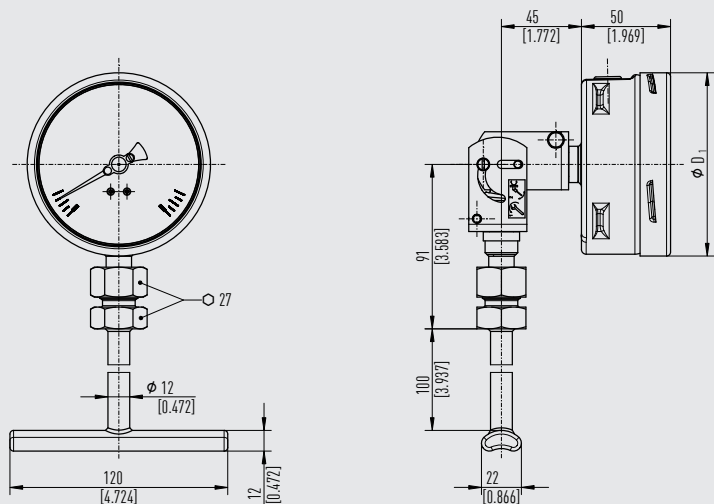


3107892.01

Nenngröße	Ø D ₁ in mm [in]
100	101 [3,98]
160	161 [6,34]

Anschlusslage dreh- und schwenkbar mit Anliegeföhler

3107906.01

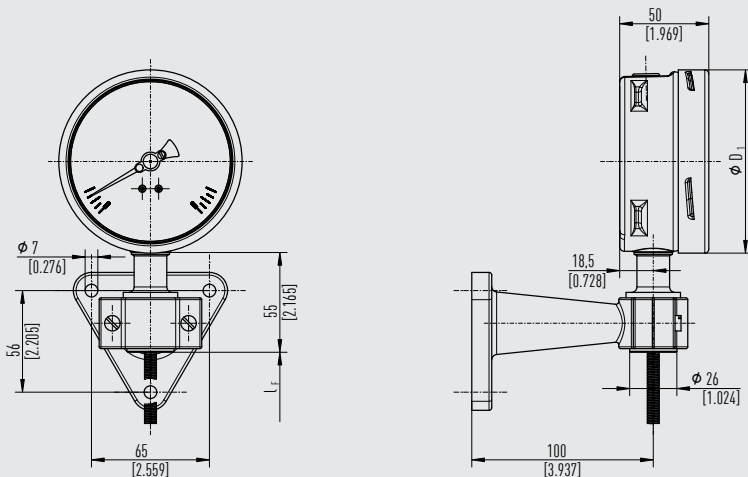


Nenngröße	Ø D ₁ in mm [in]
100	101 [3,98]
160	161 [6,34]

Fernleitungsgeräte F73 mit Gehäuse-Befestigungsarten

Typ F73, Fernleitungsgerät, Anschlusslage unten mit Messgerätehalter

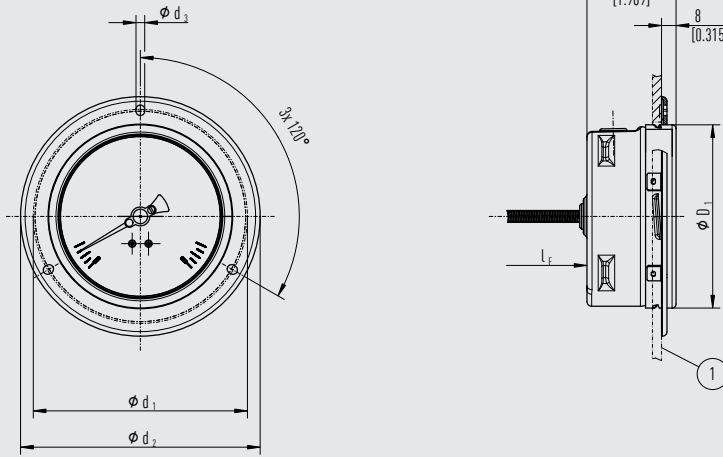
3073270.02



Nenngröße	Ø D ₁ in mm [in]
100	101 [3,98]
160	161 [6,34]

Typ F73.100, Fernleitungsgerät, Anschlusslage rückseitig mit Befestigungsrand vorne

3073289.03

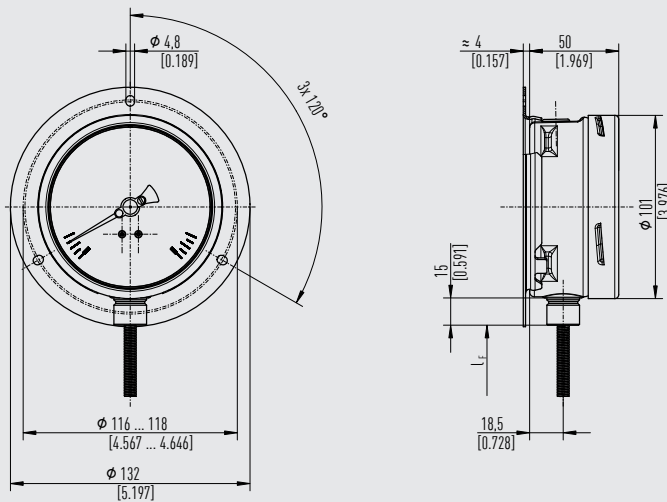


① Schalttafel

Nenngröße	ϕD_1 in mm [in]	ϕd_1 in mm [in]	ϕd_2 in mm [in]	ϕd_3 in mm [in] ¹⁾
100	101 [3,98]	116 ... 118 [4,57 ... 4,65]	132 [5,2]	4,8 [0,19]
160	161 [6,34]	178 [7,01]	196 [7,72]	5,8 [0,23]

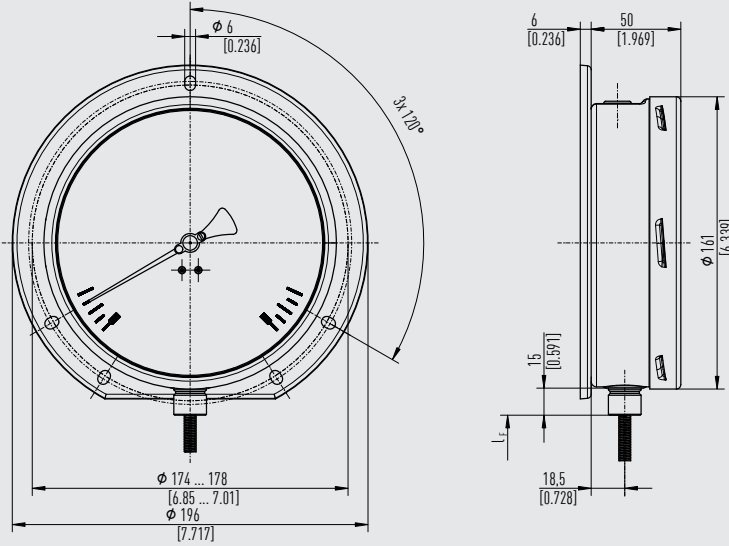
Typ F73.100, Fernleitungsgerät, Anschlusslage unten mit Befestigungsrand hinten

14126562.02



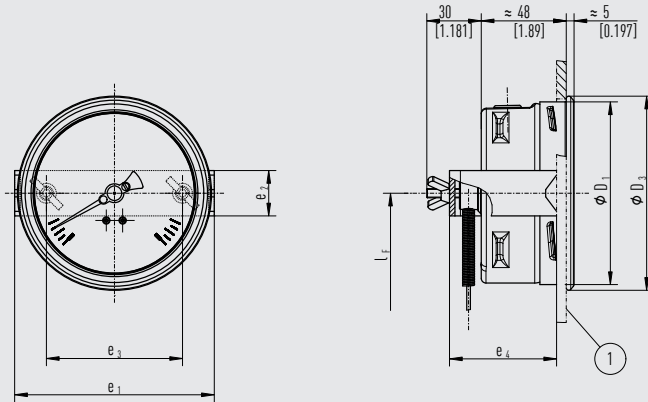
Typ F73.160 Fernleitungsgerät, Anschlusslage unten mit Befestigungsrand hinten

3073165.04



Typ F73 Fernleitungsgerät, Anschlusslage rückseitig mit Dreikantfrontring und Bügel

3073297.02



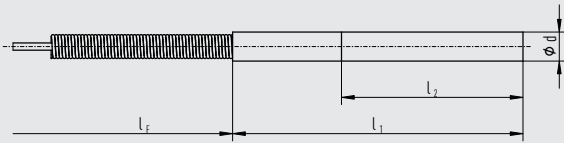
① Schalttafel

Nenngröße	Ø D ₁ in mm [in]	Ø D ₃ in mm [in]	e ₁	e ₂	e ₃	e ₄
100	101 [3,98]	4,8 [0,19]	110 [4,33]	25 [0,98]	75 [2,95]	59 [2,32]
160	161 [6,34]	5,8 [0,23]	173 [6,81]	25 [0,98]	126 [4,96]	73 [2,87]

Anschlussbauformen für Fernleitungsgeräte

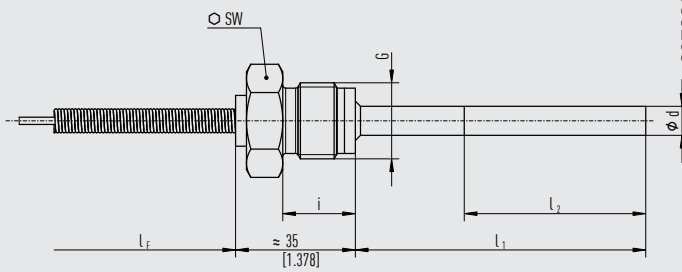
Bauform 1, glatt (ohne Gewinde)

3073300.14



Bauform 2, Anschluss drehbar

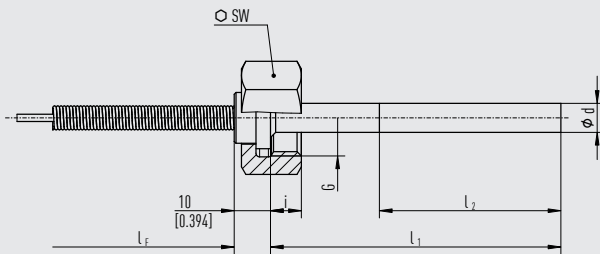
3073300.14



Prozessanschluss		Abmessungen in mm [in]
G	i	SW
G ½ B	20 [0,787]	27 [1,06]
M8 x 1,5	15 [0,59]	22 [0,87]

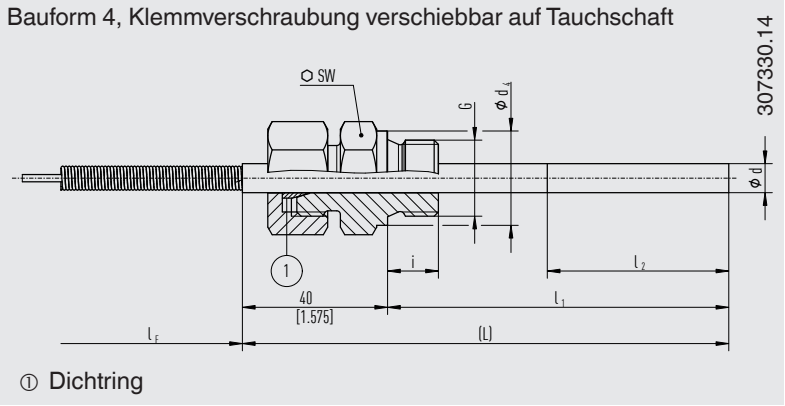
Bauform 3, Überwurfmutter

3073300.14



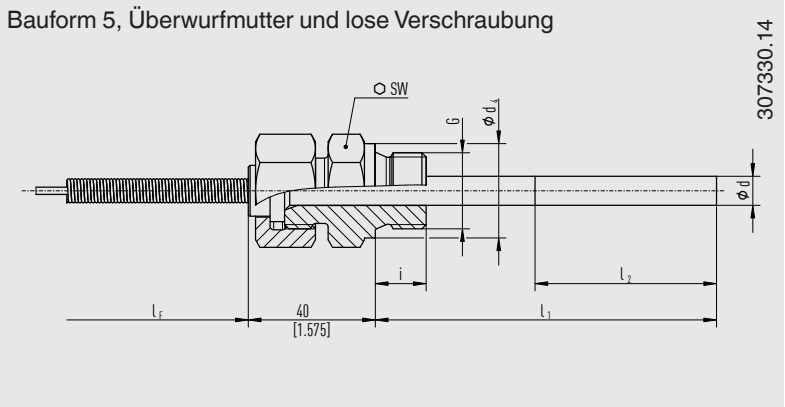
Prozessanschluss		Abmessungen in mm
G	i	SW
G ½ B	14 [0,55]	27 [1,06]
G ¾ B	16 [0,63]	32 [1,26]
M24 x 1,5	13,5 [0,53]	24 [1,26]

Bauform 4, Klemmverschraubung verschiebbar auf Tauchschaft



Prozessanschluss		Abmessungen in mm	
G	i	SW	d ₄
G ½ B	14 [0,55]	27 [1,06]	26 [1,02]
G ¾ B	16 [0,63]	32 [1,26]	32 [1,26]
M18 x 1,5	12 [0,47]	24 [0,95]	23 [0,91]
½ NPT	19 [0,75]	22 [0,87]	-
¾ NPT	20 [0,79]	30 [1,18]	-

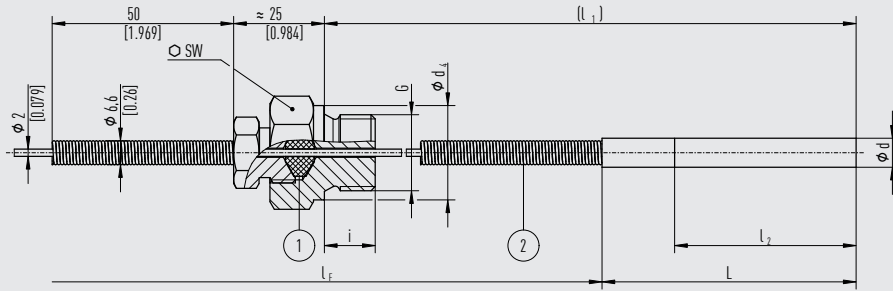
Bauform 5, Überwurfmutter und lose Verschraubung



Prozessanschluss		Abmessungen in mm	
G	i	SW	Ø d ₄
G ½ B	14 [0,55]	27 [1,06]	26 [1,02]
G ¾ B	16 [0,63]	32 [1,26]	32 [1,26]
M18 x 1,5	12 [0,47]	24 [0,95]	23 [0,91]
½ NPT	19 [0,75]	22 [0,87]	-
¾ NPT	20 [0,79]	30 [1,18]	-

Bauform 6.1, Klemmverschraubung verschiebbar auf Fernleitung (Klemmverschraubung dichtklemmend)

307330.14



- ① Dichtring
- ② Knickschutzfeder (entfällt bei $d = 6 \text{ mm}$ [0,24 in])

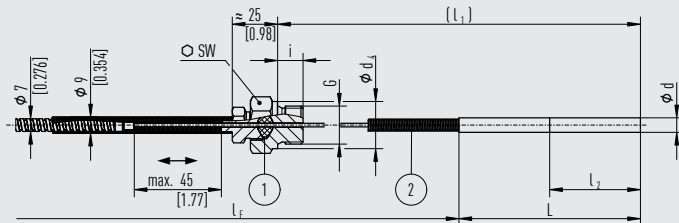
Prozessanschluss		Abmessungen in mm	
G	i	SW	$\varnothing d_4$
G 1/2 B	14 [0,55]	27 [1,06]	26 [1,02]
G 3/4 B	16 [0,63]	32 [1,26]	32 [1,26]
1/2 NPT	19 [0,75]	22 [0,87]	-
3/4 NPT	20 [0,79]	30 [1,18]	-

Einbaulänge $l_1 =$ Variabel

Fühlerlänge $L =$ 200 mm [7,87 in] bei $\varnothing d = 6 \text{ mm}$ [0,24 in]
 170 mm [6,69 in] bei $\varnothing d = 8 \text{ mm}$ [0,32 in]
 100 mm [3,94 in] bei $\varnothing d \geq 10 \text{ mm}$ [0,39 in]

Bauform 6.2, Klemmverschraubung verschiebbar auf Fernleitung mit Spiralschutzschlauch (Klemmverschraubung dichtklemmend)

307330.14



- ① Dichtring
- ② Knickschutzfeder (entfällt bei $d = 6 \text{ mm}$ [0,24 in])

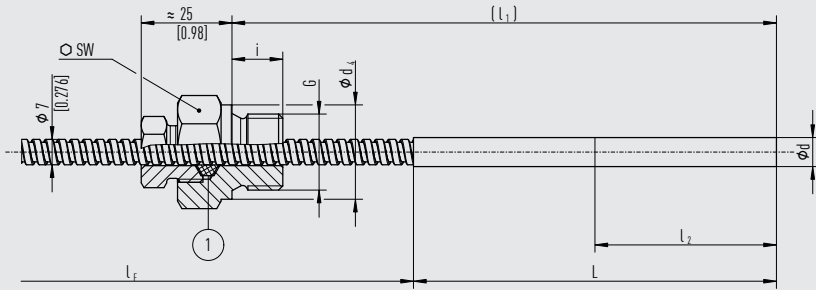
Prozessanschluss		Abmessungen in mm	
G	i	SW	d_4
G 1/2 B	14 [0,55]	27 [1,06]	26 [1,02]
G 3/4 B	16 [0,60]	32 [1,26]	32 [1,26]
1/2 NPT	19 [0,75]	22 [0,87]	-
3/4 NPT	20 [0,79]	30 [1,18]	-

Einbaulänge $l_1 =$ $\geq 300 \text{ mm}$ [11,81 in] bei $\varnothing d = 6 \text{ mm}$ [0,24 in] oder 8 mm [0,32 in]
 $\geq 200 \text{ mm}$ [7,87 in] bei $\varnothing d \geq 10 \text{ mm}$ [0,39 in]

Fühlerlänge $L =$ 200 mm [7,87 in] bei $\varnothing d = 6 \text{ mm}$ [0,24 in]
 170 mm [6,69 in] bei $\varnothing d = 8 \text{ mm}$ [0,32 in]
 100 mm [3,94 in] bei $\varnothing d \geq 10 \text{ mm}$ [0,39 in]

Bauform 6.3, Klemmverschraubung verschiebbar auf Spiralschutzschlauch
(Klemmverschraubung nicht dichtklemmend)

307330.14



① Klemmring

Prozessanschluss		Abmessungen in mm [in]	
G	i	SW	d ₄
G ½ B	14 [0,55]	27 [1,06]	26 [1,02]
G ¾ B	16 [0,63]	32 [1,26]	32 [1,26]
½ NPT	19 [0,75]	22 [0,87]	-
¾ NPT	20 [0,79]	30 [1,18]	-

Einbaulänge l₁ = Variabel

Fühlerlänge L = 200 mm [7,87 in] bei Ø d = 6 mm [0,24 in]

170 mm [6,69 in] bei Ø d = 8 mm [0,39 in]

100 mm [3,94 in] bei Ø d = ≥ 10 mm [0,39 in]

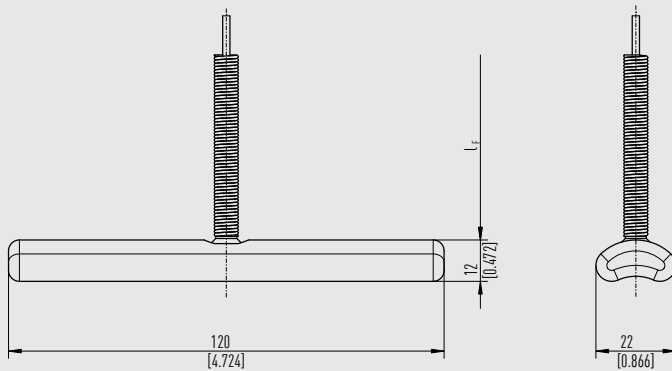
Hinweis für Bauformen 6.1, 6.2, 6.3:

Bei manchen Kombinationen kann die aktive Länge l₂ der Fühlerlänge L entsprechen.

Sofern eine zusätzliche Klemmverschraubung auf dem Tauchschaft gewünscht wird, vergrößert sich die Fühlerlänge L um mindestens 60 mm [2,36 in].

Bauform: Anliegefühler

307330.14



Bestellangaben

Typ / Nenngröße / Anzeigebereich / Anschlussbauform / Prozessanschluss / Länge I₁ / Fernleitungslänge IF / Optionen

© 02/2006 WIKA Alexander Wiegand SE & Co. KG, alle Rechte vorbehalten.
Die in diesem Dokument beschriebenen Geräte entsprechen in ihren technischen Daten dem derzeitigen Stand der Technik.
Änderungen und den Austausch von Werkstoffen behalten wir uns vor.
Bei unterschiedlicher Auslegung des übersetzten und des englischen Datenblatts ist der englische Wortlaut maßgebend.

