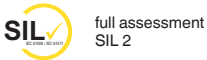


Temperature transmitter, model T32.xS

EN

Temperaturtransmitter, Typ T32.xS

DE



Head mounting version  
model T32.1S

Rail mounting version  
model T32.3S



**EN** **Operating instructions model T32.xS** **Page** **3 - 38**

**DE** **Betriebsanleitung Typ T32.xS** **Seite** **39 - 78**

**Further languages can be found at [www.wika.com](http://www.wika.com).**

© 05/2010 WIKA Alexander Wiegand SE & Co. KG  
All rights reserved. / Alle Rechte vorbehalten.  
WIKA® is a registered trademark in various countries.  
WIKA® ist eine geschützte Marke in verschiedenen Ländern.

Prior to starting any work, read the operating instructions!  
Keep for later use!

Vor Beginn aller Arbeiten Betriebsanleitung lesen!  
Zum späteren Gebrauch aufbewahren!

# Contents

<b>1. General information</b>	<b>5</b>
<b>2. Safety</b>	<b>6</b>
2.1 Intended use . . . . .	7
2.2 Personnel qualification . . . . .	7
2.3 Additional safety instructions for instruments per ATEX . . . . .	8
2.4 Special hazards . . . . .	8
2.5 Version history per NAMUR NE53 . . . . .	10
2.6 Labelling, safety labels . . . . .	11
<b>3. Specifications</b>	<b>13</b>
<b>4. Design and function</b>	<b>14</b>
4.1 Description . . . . .	14
4.2 Operation in safety-related applications . . . . .	14
4.3 Scope of delivery . . . . .	14
<b>5. Transport, packaging and storage</b>	<b>15</b>
5.1 Transport . . . . .	15
5.2 Packaging . . . . .	15
5.3 Storage . . . . .	15
<b>6. Commissioning, operation</b>	<b>16</b>
6.1 Grounding . . . . .	16
6.2 Mounting . . . . .	17
6.3 Configuration . . . . .	19
6.4 Connection of FSK modem, HART® communicator . . . . .	21
6.5 HART® configuration tree (part 2 see next page) . . . . .	22
<b>7. Notes for operating in safety-related applications (SIL)</b>	<b>24</b>
<b>8. WIKA T32 configuration software</b>	<b>24</b>
8.1 Starting up the software . . . . .	24
8.2 Connection . . . . .	25
8.3 Parameter configuration (configurable). . . . .	25

<b>9. Electrical connections</b>	<b>27</b>
9.1 Power supply, 4 ... 20 mA current loop . . . . .	28
9.2 HART® loop display (DIH50, DIH52) . . . . .	29
9.3 Sensors . . . . .	29
9.4 HART® signal . . . . .	30
<b>10. Notes for mounting and operating in hazardous areas</b>	<b>31</b>
10.1 Model overview and their European approvals . . . . .	32
10.2 Special conditions for safe use (X conditions) . . . . .	32
10.3 Safety-related maximum values . . . . .	35
<b>11. Maintenance</b>	<b>36</b>
<b>12. Faults</b>	<b>37</b>
<b>13. Return and disposal</b>	<b>38</b>
13.1 Return. . . . .	38
13.2 Disposal . . . . .	38
<b>Annex 1: Installation drawing CSA/FM</b>	<b>75</b>
<b>Annex 2: EU declaration of conformity</b>	<b>78</b>

Declarations of conformity can be found online at [www.wika.com](http://www.wika.com).

## 1. General information

- The temperature transmitter described in the operating instructions has been designed and manufactured using state-of-the-art technology. All components are subject to stringent quality and environmental criteria during production. Our management systems are certified to ISO 9001 and ISO 14001.
- These operating instructions contain important information on handling the instrument. Working safely requires that all safety instructions and work instructions are observed.
- Observe the local accident prevention regulations and general safety regulations, in effect for the instrument's range of use.
- The operating instructions are part of the instrument and must be kept readily accessible to skilled personnel at any time.
- Skilled personnel must have carefully read and understood the operating instructions, prior to beginning any work.
- In case of a different interpretation of the translated and the English operating instructions, the English wording shall prevail.
- The manufacturer's liability is void in the case of any damage caused by using the product contrary to its intended use, non-compliance with these operating instructions, assignment of insufficiently qualified skilled personnel or unauthorised modifications to the instrument.
- The general terms and conditions, contained in the sales documentation, shall apply.
- Subject to technical modifications.
- Further information:
  - Internet address: [www.wika.de](http://www.wika.de) / [www.wika.com](http://www.wika.com)
  - Relevant data sheet: TE 32.04
  - Contact: Tel.: +49 9372 132-0  
[info@wika.com](mailto:info@wika.com)

### Explanation of symbols



#### **WARNING!**

... indicates a potentially dangerous situation, which can result in serious injury or death, if not avoided.



#### **CAUTION!**

... indicates a potentially dangerous situation, which can result in light injuries or damage to equipment or the environment, if not avoided.



### Information

... points out useful tips, recommendations and information for efficient and trouble-free operation.



### DANGER!

... identifies hazards caused by electrical power. Should the safety instructions not be observed, there is a risk of serious or fatal injury.



### WARNING!

... indicates a potentially dangerous situation hazardous area that can result in serious injury or death, if not avoided.

## 2. Safety



### WARNING!

Before installation, commissioning and operation, ensure that the appropriate temperature transmitter has been selected in terms of measuring range, design and specific measuring conditions.

Non-observance can result in serious injury and/or damage to the equipment.



### WARNING!

This is Protection Class 3 equipment for connection at low voltages, which are separated from the power supply or voltage by greater than AC 50 V or DC 120 V. Preferably, a connection to an SELV or PELV circuit is recommended; alternatively protective measures from HD 60346-4-41 (DIN VDE 0100-410).

Alternatively for North America:

The connection can be made in line with “Class 2 Circuits” or “Class 2 Power Units” in accordance with CEC (Canadian Electrical Code) or NEC (National Electrical Code)



Further important safety instructions can be found in the individual chapters of these operating instructions.

### 2.1 Intended use

The model T32.xS temperature transmitter is a universal transmitter, configurable via HART® protocol, for use with resistance thermometers (RTD), thermocouples (TC), resistance and voltage sources as well as potentiometers.

The instrument has been designed and built solely for the intended use described here, and may only be used accordingly.

The technical specifications contained in these operating instructions must be observed. Improper handling or operation of the instrument outside of its technical specifications requires the instrument to be taken out of service immediately and inspected by an authorised WIKA service engineer.

If the instrument is transported from a cold into a warm environment, the formation of condensation may result in the instrument malfunction. Before putting it back into operation, wait for the instrument temperature and the room temperature to equalise.

The manufacturer shall not be liable for claims of any type based on operation contrary to the intended use.

### 2.2 Personnel qualification



#### **WARNING!**

#### **Risk of injury should qualification be insufficient!**

Improper handling can result in considerable injury to personnel and damage to equipment.

- The activities described in these operating instructions may only be carried out by skilled personnel who have the qualifications described below.
- Keep unqualified personnel away from hazardous areas.

#### **Skilled personnel**

Skilled personnel are understood to be personnel who, based on their technical training, knowledge of measurement and control technology and on their experience and knowledge of country-specific regulations, current standards and directives, are capable of carrying out the work described and independently recognising potential hazards.

Special operating conditions require further appropriate knowledge, e.g. of aggressive media.

### 2.3 Additional safety instructions for instruments per ATEX

EN



#### **WARNING!**

Non-observance of these instructions and their contents may result in the loss of explosion protection.



#### **WARNING!**

- Observe the applicable regulations for the use of Ex-class instruments
- Do not use transmitters with any damage to the exterior!

### 2.4 Special hazards



#### **WARNING!**

Observe the information given in the applicable type examination certificate and the relevant country-specific regulations for installation and use in hazardous areas (e.g. IEC 60079-14, NEC, CEC). Non-observance can result in serious injury and/or damage to equipment.

For additional important safety instructions for instruments with ATEX approval see chapter 2.3 "Additional safety instructions for instruments per ATEX".



#### **WARNING!**

The functional galvanic isolation present in the instrument does not ensure sufficient protection against electrical impulses in the sense of EN 61140.



#### **WARNING!**

For hazardous media such as oxygen, acetylene, flammable or toxic gases or liquids, and refrigeration plants, compressors, etc., in addition to all standard regulations, the appropriate existing codes or regulations must also be followed.



#### **WARNING!**

To ensure safe working on the instrument, the operator must ensure

- that suitable first-aid equipment is available and aid is provided whenever required.
- that the operating personnel are regularly instructed in all topics regarding work safety, first aid and environmental protection and know the operating instructions and, in particular, the safety instructions contained therein.



**WARNING!**

When working during a running process operation, measures to prevent electrostatic discharge from the connecting terminals should be taken, as a discharge could lead to temporary corruption of the measured value.

The model T32.1S temperature transmitter should only be used with grounded thermometers! With the connection of a resistance sensor (e.g. Pt100) to the T32.3S, the use of a shielded cable is recommended. In this case, the shield must be electrically connected to the housing of the grounded thermometer, or connected to the control cabinet. (Drawings see chapter 6.1 “Grounding”)

The connection of a thermocouple sensor to the T32.3S must be made with a screened cable. The shield must be electrically connected with the housing of the grounded thermometer and, additionally, grounded to the side of the T32.3S. It should be ensured that there is equipotential bonding on installation, so that no balancing current can flow via the shield. Here, in particular, the installation regulations for hazardous areas should be followed!

The enclosure is constructed from plastic. To prevent the risk of electrostatic sparking the plastic surface should be cleaned only with a damp cloth.

**DANGER!****Danger of death caused by electric current**

Upon contact with live parts, there is a direct danger of death.

- The instrument may only be installed and mounted by skilled personnel.
- Operation using a defective power supply unit (e.g. short circuit from the mains voltage to the output voltage) can result in life-threatening voltages at the instrument!

**WARNING!**

Only instruments as described in chapter 4.2 “Operation in safety-related applications” are qualified for use in safety-related applications. Do not use other instruments in safety or Emergency Stop devices.

Incorrect use of the instrument can result in injury.

### 2.5 Version history per NAMUR NE53

#### 2.5.1 HART® 5 instruments

Version	Notes	Configuration WIKA_T32 software	T32 HART® instrument revision	Corresponding DD (Device Description)
v2.1.3	first T32.xS version	v1.50	3	Dev v3, DD v1
v2.2.1 <sup>1)</sup>	T32.xS version with SIL option	v1.51	3	Dev v3, DD v1
v2.2.3 <sup>1)</sup>	T32.xS (Change Notification Q2/2014)	v1.51	3	Dev v3, DD v1

1) For instruments without SIL a restart of the transmitter after enabling the "write protection" is recommended.

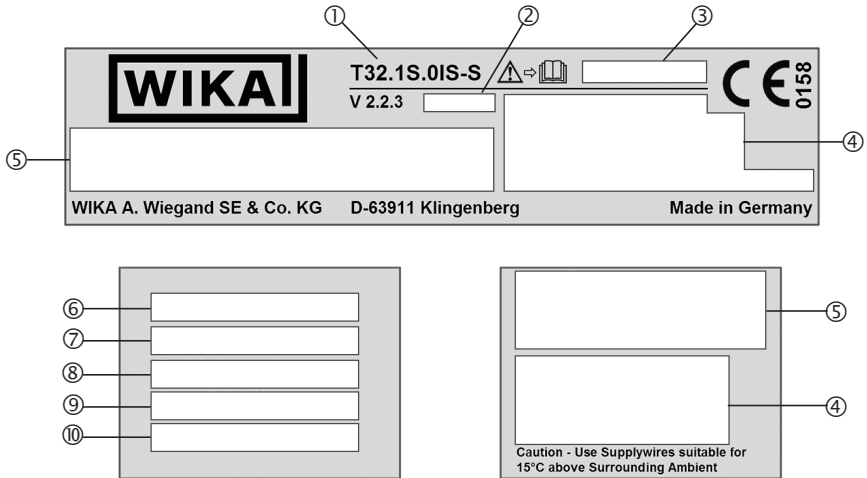
#### 2.5.2 Option: HART® 7 instruments

Version	Notes	Configuration WIKA_T32 software	T32 HART® instrument revision	Corresponding DD (Device Description)
v2.3.1	Optional HART® 7 version	v1.51	4	Dev v3, DD v1

### 2.6 Labelling, safety labels

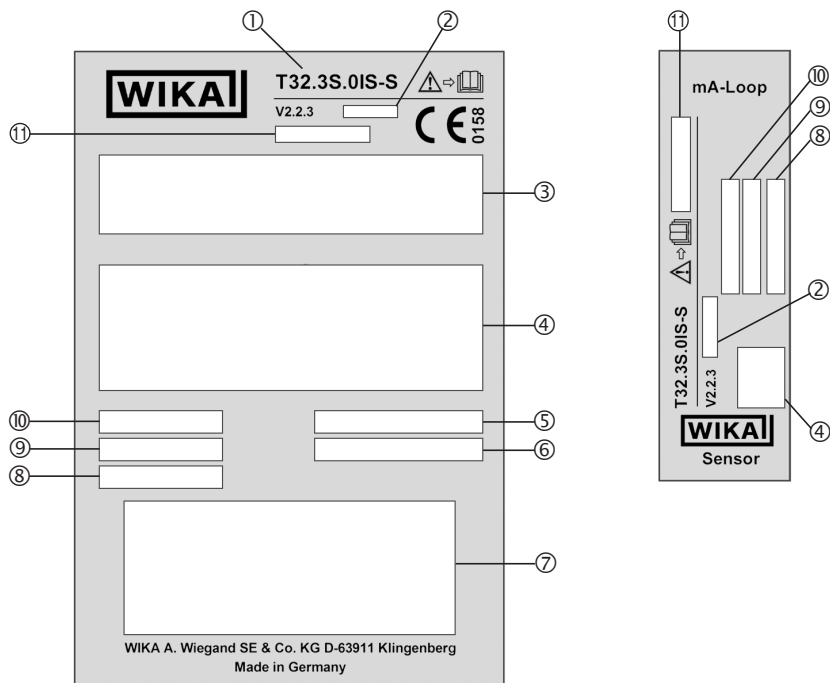
#### Product label (example)

- Head mounting version, model T32.1S



## 2. Safety

### ■ Rail mounting version, model T32.3S



- ① Model  
with SIL: T32.3S.0IS-S  
without SIL: T32.3S.0IS-Z
- ② Date of manufacture (year-month)
- ③ Ex marking
- ④ Approval logos
- ⑤ Power supply
- ⑥ Output signal, HART® version
- ⑦ Pin assignment
- ⑧ TAG no.
- ⑨ Measuring range
- ⑩ Sensor, Pt100 or RTD
- ⑪ Serial number



Before mounting and commissioning the instrument, ensure you read the operating instructions!

## 3. Specifications

### 3. Specifications

Specifications	Model T32.xS
<b>Permissible ambient temperature</b>	-60 <sup>1)</sup> / -50 <sup>2)</sup> / -40 ... +85 °C [-76 <sup>1)</sup> / -58 <sup>2)</sup> / -40 ... +185 °F]
<b>Climate class per IEC 654-1: 1993</b>	Cx (-40 ... +85 °C, 5 ... 95 % r. h.)
<b>Maximum permissible humidity</b> <ul style="list-style-type: none"><li>■ Model T32.1S per IEC 60068-2-38: 1974</li><li>■ Model T32.3S per IEC 60068-2-30: 2005</li></ul>	Test max. temperature variation 65 °C [149 °F] and -10 °C [+14 °F], r. h. 93 % ±3 % Test max. temperature 55 °C, r. h. 95 %
<b>Vibration resistance per IEC 60068-2-6:2007</b>	Test Fc: 10 ... 2,000 Hz; 10 g, Amplitude 0.75 mm [0.03 in]
<b>Shock resistance per IEC 68-2-27: 1987</b>	Test Ea: Acceleration Type I 30 g and Type II 100 g
<b>Salt fog per IEC 60068-2-52</b>	Severity level 1
<b>Freefall in accordance with IEC 60721-3-2: 1997</b>	Drop height 1,500 mm [59.06 in]
<b>Electromagnetic compatibility (EMC)<sup>3)</sup></b>	EN 61326 Emission (Group 1, Class B) and immunity (industrial application)

- 1) Special version on request (only available with specific approvals), not for rail mounting version T32.3S, not for SIL version
- 2) Special version, not for rail mounting version T32.3S
- 3) During interference an increased measuring deviation of up to 1 % has to be considered.

For further specifications see WIKA data sheet TE 32.04 and the order documentation.



For further important safety instructions for operation in hazardous areas see chapter 10 “Notes for mounting and operating in hazardous areas”.

### 4. Design and function

#### 4.1 Description

The temperature transmitter is used for converting a resistance value or a voltage value into a proportional current signal (4 ... 20 mA).

Thus the sensors are permanently monitored for their fault-free operation.

The transmitter meets the requirements for:

- Functional safety per IEC 61508 / IEC 61511-1 (depending on the version)
- Explosion protection (depending on the version)
- Electromagnetic compatibility in accordance with NAMUR recommendation NE21
- Signalling at the analogue output in accordance with NAMUR recommendation NE43
- Sensor burnout signalling in accordance with NAMUR recommendation NE89 (corrosion monitoring sensor connection)

#### 4.2 Operation in safety-related applications



The model T32.xS.xxx-S (SIL version) has been designed for use in safety-related applications.

The marking of this design variant is given in chapter 2.6 “Labelling, safety labels”. For operation in safety-related applications the additional requirements must be observed (see safety manual “Information on functional safety of model T32.xS”). The instructions contained in this must be followed without fail.

#### 4.3 Scope of delivery

Cross-check scope of delivery with delivery note.

### 5. Transport, packaging and storage

#### 5.1 Transport

Check instrument for any damage that may have been caused by transport. Obvious damage must be reported immediately.

EN

#### 5.2 Packaging

Do not remove packaging until just before mounting.

Keep the packaging as it will provide optimum protection during transport (e.g. change in installation site, sending for repair).

#### 5.3 Storage

##### Permissible conditions at the place of storage:

- Storage temperature: -40 ... +85 °C [-40 ... +185 °F]
- Humidity: 95 % relative humidity

##### Avoid exposure to the following factors:

- Direct sunlight or proximity to hot objects
- Mechanical vibration
- Soot, vapour, dust and corrosive gases

### 6. Commissioning, operation

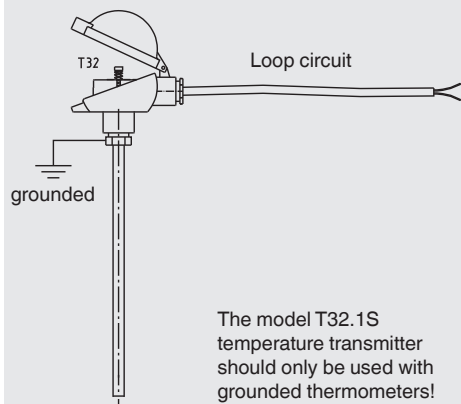
EN



In hazardous areas, only use temperature transmitters that are approved for those hazardous areas. The approval is marked on the product label.

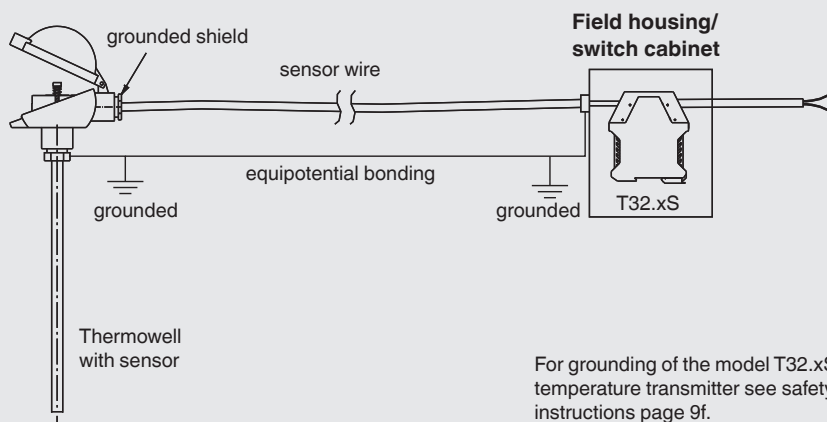
#### 6.1 Grounding

##### Connection head BSZ



The model T32.1S temperature transmitter should only be used with grounded thermometers!

##### Connection head BSZ

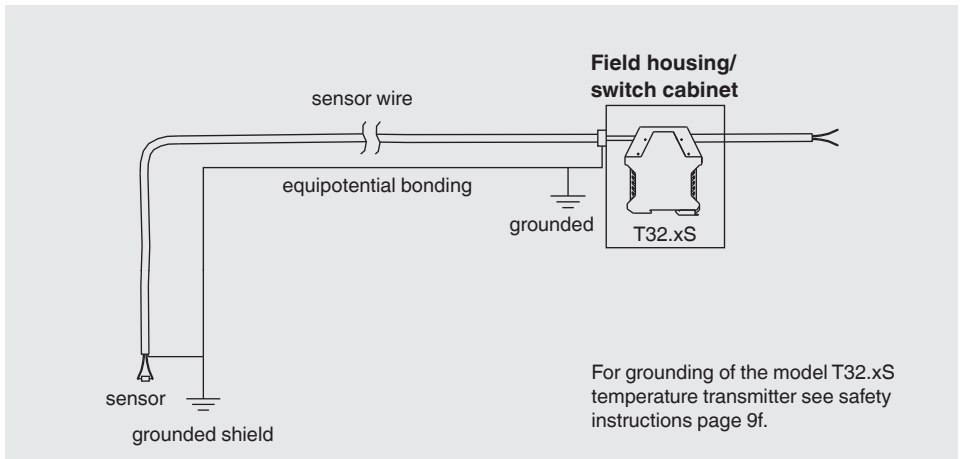


For grounding of the model T32.xS temperature transmitter see safety instructions page 9f.



## 6. Commissioning, operation

For applications with higher EMC requirements, it is recommended using a shielded cable between the temperature transmitter and the sensor, especially in connection with long leads to the sensor. For an exemplary illustration, see drawing.

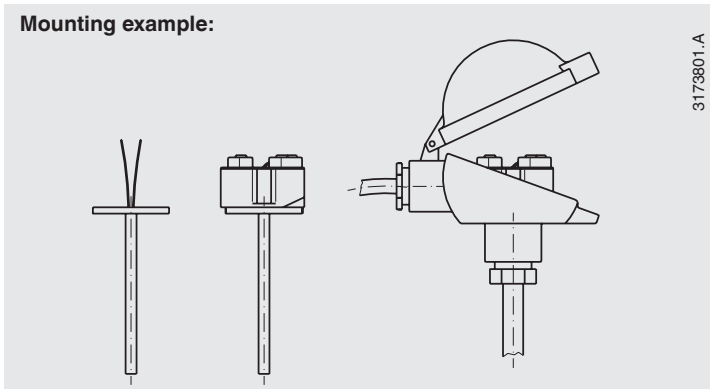


EN

### 6.2 Mounting

#### 6.2.1 Transmitter in head mounting version (model T32.1S)

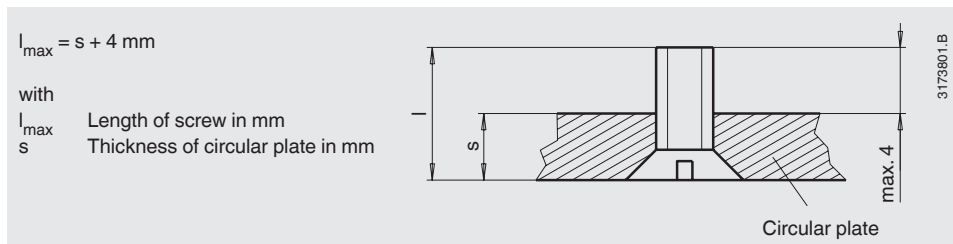
The transmitters for head mounting (model T32.1S) are designed to be mounted on a measuring insert within a Form B, DIN connection head, with extended mounting space. The connection wires of the measuring insert must be approx. 50 mm long and insulated.



## 6. Commissioning, operation

### Mounting on the measuring insert

Mount the transmitter on the circular plate of the measuring insert using two countersunk M3 screws per EN ISO 2009. Appropriate threaded inserts have been press-fitted in the underside of the case. Assuming the countersinking is carried out correctly, the permissible screw length can be calculated as follows:



Check the screw length before fixing the transmitter to the measuring insert: insert the screw into the circular plate and verify length of 4 mm [0.16 in]!



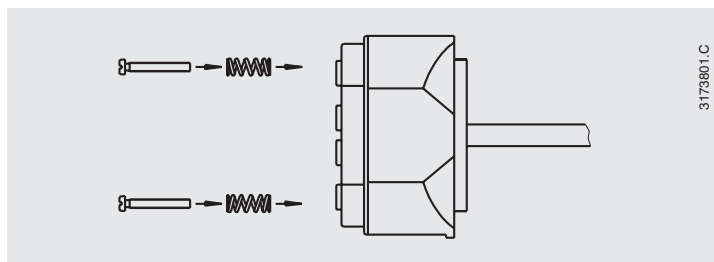
#### CAUTION!

Do not exceed the maximum permissible screw length!

The transmitter will be damaged if the screws are screwed further than 4 mm [0.16 in] into the bottom of the transmitter.

### Mounting in connection head

Insert the measuring insert with the mounted transmitter into the protective sheath and secure into the connecting head using screws in pressure springs.



### Installation by means of DIN rail adapter

If the mechanical adapter, available as an accessory, is used the T32.1S head transmitters can also be fixed on a DIN rail.

#### 6.2.2 Transmitter in rail mounting version (model T32.3S)

Fasten the rail mounting case (model T32.3S) onto a 35 mm [0,16 in] top-hat rail (EN 60715) by simply locking it into place without the need for any tools.

Disassembly is achieved by unlocking the locking element.

### 6.3 Configuration

The following parameters can all be configured: sensor model, sensor connection, user measuring range, output limit, alarm indication, terminal voltage monitoring, sensor break monitoring, measuring range monitoring, measuring rate, damping, write protection, offset values (1-point correction), Tag No. and user linearisation (custom characteristic curve). Furthermore, a linear transformation of the process value is possible using a 2-point correction.

User linearisation:

Via software, customer-specific sensor characteristics can be stored in the transmitter in order to define other sensor types. Number of auxiliary points: min. 2; max. 30. If more than 2 sensors are connected (dual sensor function) further configurations can be carried out. With the dual sensor function, two identical sensors (resistance sensor or thermocouple) with the same measuring range are connected and then processed together.

The transmitters are delivered with a basic configuration (see data sheet TE 32.04) or configured according to customer specifications. If the configuration is changed afterwards, the modifications must be noted on the label using a water-resistant felt-tip pen.



A simulation of the input value is not required to configure the T32.  
A sensor simulation is only required for the functional test.

#### **Freely programmable sensor functionality when 2 sensors have been connected (dual sensor)**

Sensor 1, sensor 2 redundant:

The 4 ... 20 mA output signal delivers the process value of sensor 1. If sensor 1 fails, the process value of sensor 2 is output (sensor 2 is redundant).

Average value:

The 4 ... 20 mA output signal delivers the average value from sensor 1 and sensor 2. If one sensor fails, the process value of the working sensor is output.

Minimum value:

The 4 ... 20 mA output signal delivers the lower of the two values from sensor 1 and sensor 2. If one sensor fails, the process value of the working sensor is output.

Maximum value:

The 4 ... 20 mA output signal delivers the higher of the two values from sensor 1 and sensor 2. If one sensor fails, the process value of the working sensor is output.

Difference:

The 4 ... 20 mA output signal delivers the difference between sensor 1 and sensor 2. If one sensor fails, the process value of the working sensor is output.

### Freely programmable monitoring functions

Monitoring of the measuring range:

If this function is activated, an error is signalled on the current loop (< 3.6 mA) if the measured value is either below or over the limits of the measuring range.

### Freely programmable monitoring functions when 2 sensors have been connected (dual sensor)



The following options are not available in the difference mode!

Redundancy/hot backup:

In the case of a sensor error (sensor break, line resistance too high or measured value outside the measuring range of the sensor) of one of the two sensors, the process value will be the value from the working sensor only. Once the error is rectified, the process value will again be based on the two sensors, or on sensor 1.

Ageing monitoring (sensor drift monitoring):

An error signal on the output is activated if the value of the temperature difference between sensor 1 and sensor 2 is higher than a set value, which can be selected by the user. This monitoring only generates a signal if two valid sensor values can be determined and the temperature difference is higher than the selected limit value.

(Cannot be selected for the "Difference" sensor functionality, since the output signal already indicates the difference value).

#### 6.3.1 Configuration via the PC

To configure the transmitter, both configuration software and a HART<sup>®</sup> modem are needed. WIKA offers 4 different HART<sup>®</sup> modem models for this.

- ① VIATOR<sup>®</sup> HART<sup>®</sup> USB, order number: 11025166
- ② VIATOR<sup>®</sup> HART<sup>®</sup> USB PowerXpress<sup>™</sup>, order number: 14133234
- ③ VIATOR<sup>®</sup> HART<sup>®</sup> RS-232, order number: 7957522
- ④ VIATOR<sup>®</sup> HART<sup>®</sup> Bluetooth<sup>®</sup> Ex, order number: 11364254



The HART<sup>®</sup> modem may also be used in conjunction with other configuration software (see chapter 8 "WIKA T32 configuration software").



### WIKA T32 configuration software

We recommend using our WIKA T32 configuration software. This software is regularly updated and adapted to the firmware extensions of the T32, so that you always have full access to all functionalities and parameters of the transmitter (see chapter 8 “WIKA T32 configuration software”).

### Further configuration software

With the following software tools it is also possible to carry out configurations at the T32 e.g.:

- AMS and SIMATIC PDM (T32\_EDD)
- FieldMate, PACTware, SmartVision and Fieldcare (DTM\_T32)
- DTM in FDT 1.2 frame application

With any other HART® configuration tool the generic mode functionalities can be operated (e.g. measuring range or Tag No.).



Further information on the configuration of the T32 with the software tools mentioned above is available on request.

### 6.3.2 DD version

The model T32.xS temperature transmitter can be used with the following DTM and DD versions.

T32 HART® instrument revision	Corresponding DD (Device Description)	T32 HART® DTM
0	Dev v0, DD v2	DTM 1.0.2
1	Dev v1, DD v1	DTM 1.0.2
2	Dev v2, DD v1	DTM 1.0.2
3	Dev v3, DD v1	DTM 2.0.0.175, DTM 2.1.0
<b>Optional: HART® 7 version</b>		
4	Dev v3, DD v1	DTM 2.1.0

### 6.3.3 HART® communicator (FC375, FC475, MFC4150, MFC5150)

With the HART® communicator the instrument functions are selected via various menu levels and with the help of a special HART® function matrix (see chapter 6.5 “HART® configuration tree”).

## 6.4 Connection of FSK modem, HART® communicator



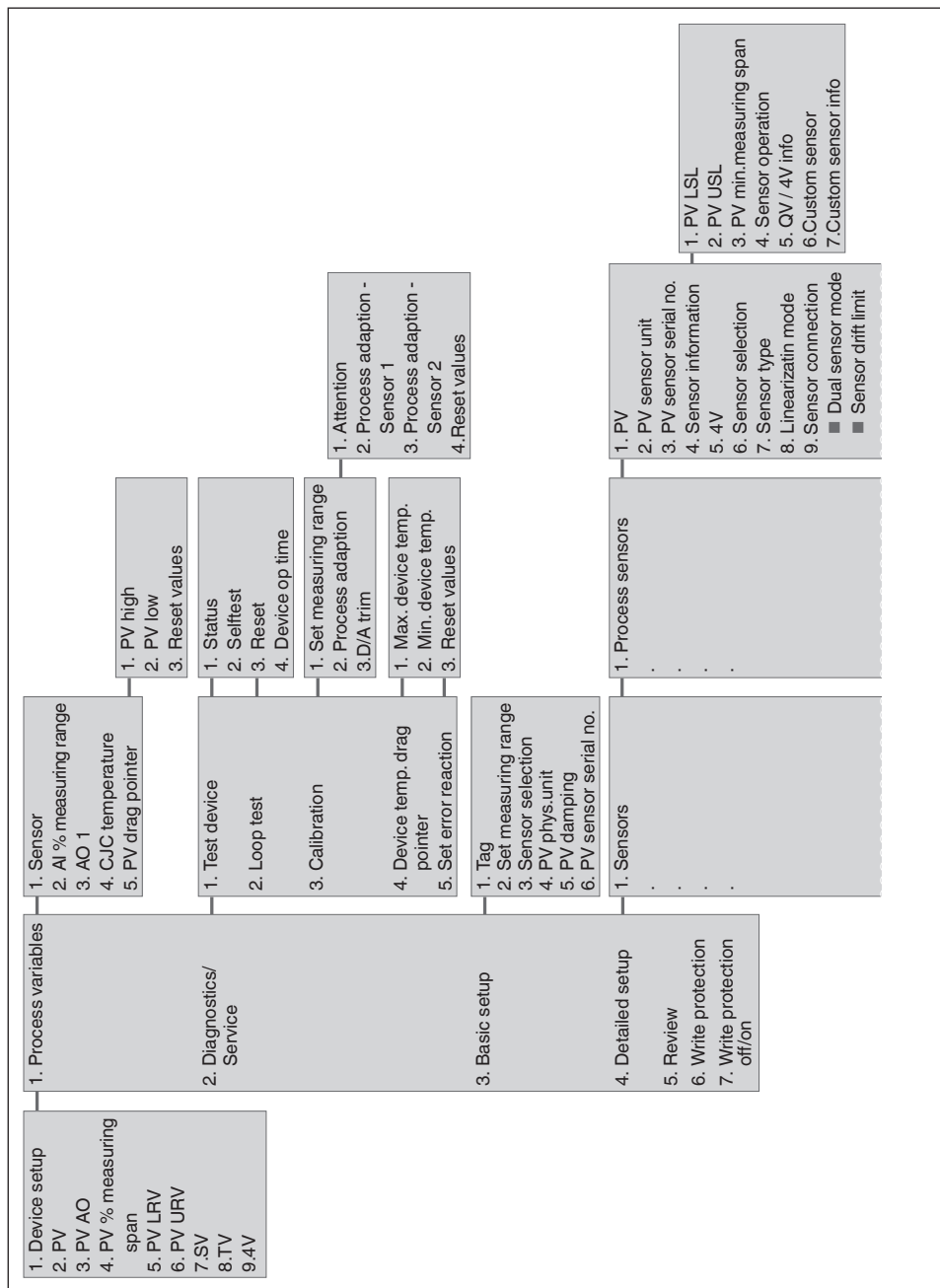
### WARNING!

- The measuring circuit has to have a load of at least 250 Ω.
- For all transmitters with hazardous area protection observe chapter 10 “Notes for mounting and operating in hazardous areas”.

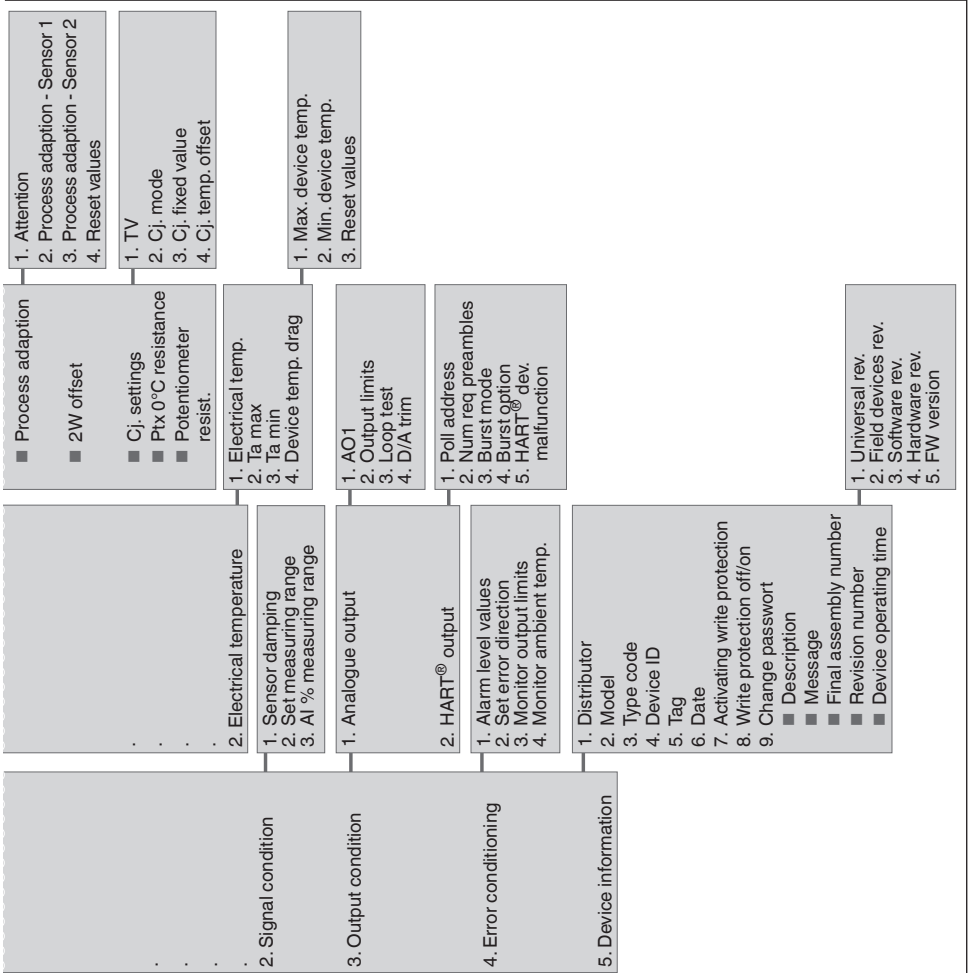
This resistor is already integrated in most power supplies available in the market and is therefore not required separately. Frequently a special connection for the FSK modem is already available.

## 6.5 HART® configuration tree (part 2 see next page)

EN



## HART® configuration tree (part 2)



### Abbreviations used

PV:	Process value	(primary value)
SV:	Temperature of internal electronics	(secondary value)
TV:	Thermocouple compensation temperature	(tertiary value)
AO:	Analogue output	

URV: Max. value (upper range value)

LRV: Min. value (lower range value)

LSL: Min. sensor limit (lower sensor limit)

USL: Max. sensor limit (upper sensor limit)

## 7. Notes for operating in safety-related applications (SIL)



The model T32.xS.xxx-S (SIL version) has been designed for use in safety-related applications.

For operation in safety-related applications the additional requirements must be observed (see safety manual “Information on functional safety of model T32.xS”). The instructions contained in this must be followed without fail.

## 8. WIKA T32 configuration software

For installation please follow the instructions of the installation instructions. A free-of-charge download of the up-to-date version of the WIKA\_T32 software is available from [www.wika.com](http://www.wika.com).

### 8.1 Starting up the software

Start the WIKA\_TT software by double-clicking on the WIKA T32 icon.

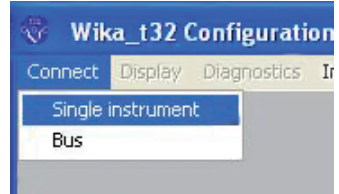


To get complete access to all functions and parameters of the T32, you must choose the access level “Specialist”. After installation, by default, no password is activated!



## 8.2 Connection

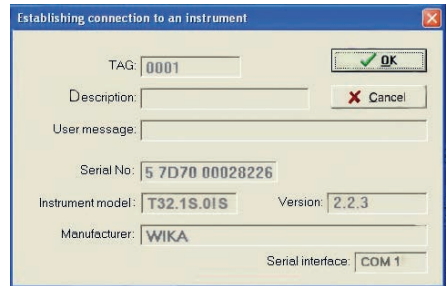
Through the menu entry “connect” → “Single instrument”, it will try to establish communication with a HART®-capable device with the HART® Poll Address 0 (zero). If this attempt is unsuccessful, the software will try to establish a Multidrop connection. The addresses 1-15 will be successively connected and will try to establish communication to a connected device.



Connection is only possible to a single instrument at any one time!

After successful connection the software shows the basic data for the connected instrument:

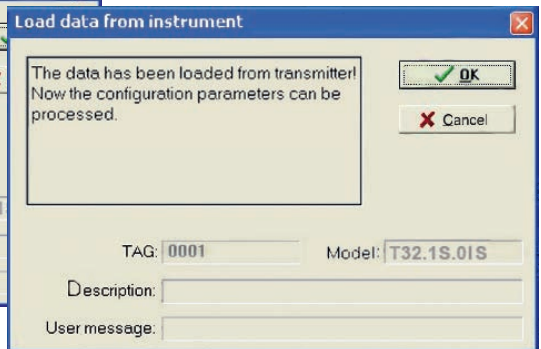
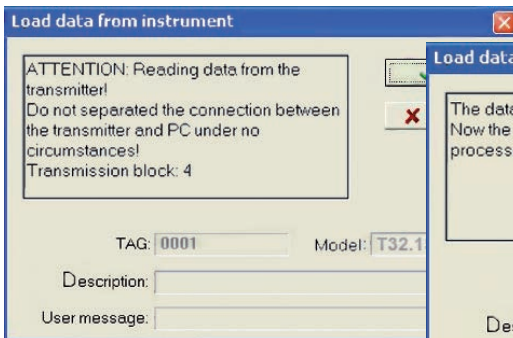
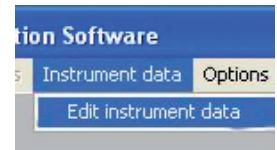
- TAG mark
- Description
- User message
- Serial number
- Instrument model and version
- Manufacturer and the PC port used



Confirm connection established with “OK”.

## 8.3 Parameter configuration (configurable)

All data important for operating can be adjusted in the menu “Instrument data” → “Edit instrument data”.





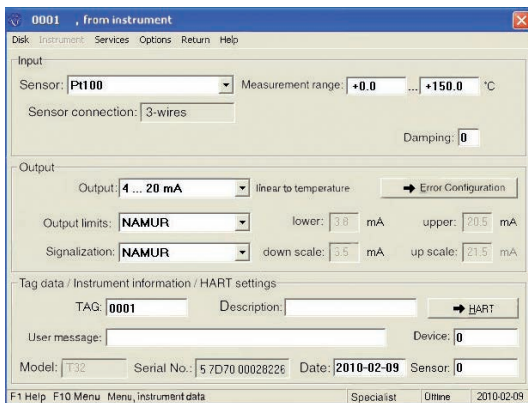
During this, do not interrupt the communication with the transmitter, since the data may not be correctly read as a result of this.

EN

Once the data has been correctly transferred, confirm with “OK”.

Access to all operation-relevant functions and parameters such as:

- Sensor type and connection
- Measuring range and temperature unit
- Output signal
- Output limits and error signalling
- TAG of test point
- HART® poll address
- Burst mode



For further information on configuration, see contact data on page 5.

## 9. Electrical connections



### WARNING!

Observe the safety-technical maximum values for the connection of the power supply and the sensors, see chapter 10.3 "Safety-related maximum values".

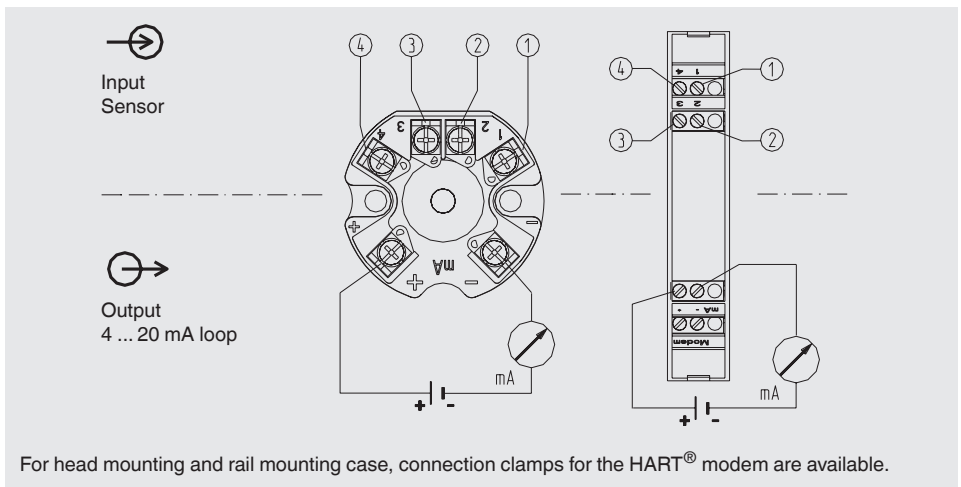
EN

When working on the transmitters (e.g. installation/removal, maintenance work) take measures to prevent electrostatic discharge from the terminals.



### WARNING!

Only carry out installation in a de-energised state!  
The connected wires must be checked to ensure they are connected properly.  
Only well-secured wires can guarantee a fault-free operation.



Recommended tools for terminal screws:

Model	Screwdriver	Tightening torque
T32.1S	Cross head (Pozidriv tip) size 2 (ISO 8764)	0.4 Nm
T32.3S	Slotted, 3 mm x 0.5 mm [0.12 in x 0.02 in] (ISO 2380)	0.4 Nm

## 9. Electrical connections

### 9.1 Power supply, 4 ... 20 mA current loop

The T32 is a 2-wire temperature transmitter. Depending on the version, it can be supplied with various types of power supply. Connect the positive line of the power supply to the terminal marked with  $\oplus$ , the negative line of the power supply to the terminal marked with  $\ominus$ .

With flexible leads we recommend the use of crimped connector sleeves. The integrated reverse polarity protection (wrong polarity on the terminals  $\oplus$  and  $\ominus$ ) prevents the transmitter from damage.

The following maximum values are applicable:

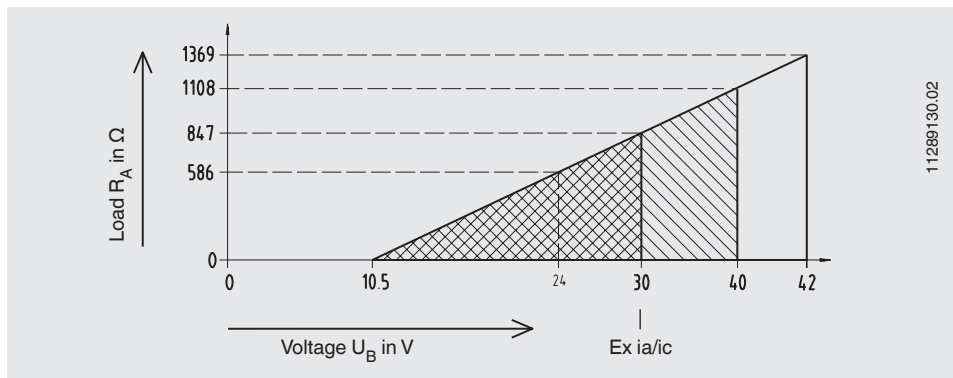
- Model T32.xS.000: DC 42 V
- Model T32.xS.0IS: DC 30 V
- Model T32.xS.0IC: DC 30 V

The T32.xS temperature transmitter requires a minimum terminal voltage of DC 10.5 V. The load must not be too high, as otherwise, in the case of relatively high currents, the terminal voltage at the transmitter will be too low.

The T32 is equipped with terminal voltage monitoring ("under-voltage" detection). If too small a voltage is detected at the terminal ( $< 10\text{ V}$ ) the error is signalled on the output ( $< 3.6\text{ mA}$ ).

Maximum permissible load depending on the supply voltage:

#### Load diagram



For the power supply, use an energy-limited electrical circuit (EN/UL/IEC 61010-1, section 8.3) with the following maximum values for the power supply:

for  $U_B = \text{DC } 42\text{ V}; 5\text{ A}$

For the external power supply a separate switch is required.

## 9. Electrical connections

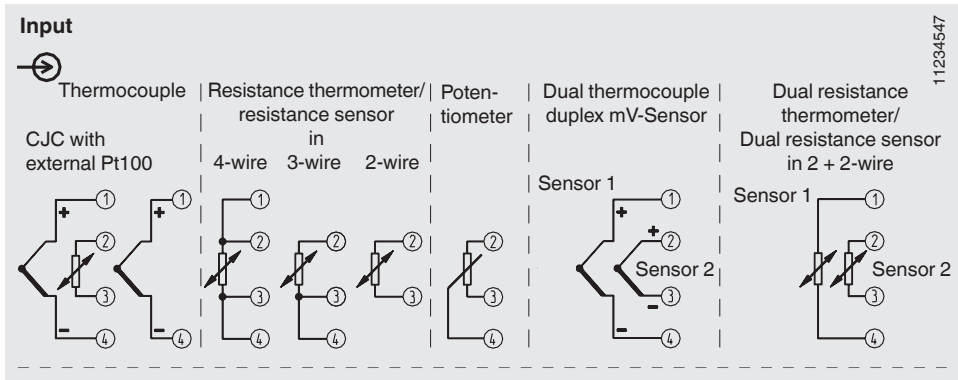
### 9.2 HART<sup>®</sup> loop display (DIH50, DIH52)

Additional configuration of the temperature transmitter with a HART<sup>®</sup> Loop Display is possible. This is used for the local display of the current process value. The unit and the configured measuring range of the transmitter are automatically updated via the HART<sup>®</sup> protocol in the display. No further change of the HART<sup>®</sup> loop display is necessary. To do this, the display must be in HART<sup>®</sup> mode.

EN

### 9.3 Sensors

#### 9.3.1 Schematic representation, configuration



#### 9.3.2 Resistance thermometer (RTD) and resistance sensor

It is possible to connect an RTD resistance thermometer (e.g. per EN 60751) or any resistance sensor in a 2-, 3- or 4-wire connection method and to connect two identical resistance thermometers, having the same measuring ranges, in a two-wire circuit. Configure the input of the transmitter to match with the actual method of connection used. Otherwise you will not fully exploit the possibilities of connection lead compensation and, as a result, possibly cause additional measuring errors (see chapter 6.3 “Configuration”).

#### 9.3.3 Thermocouples (TC)

It is possible to connect one or two identical thermocouples. Make sure that the thermocouple is connected with the correct polarity. If the lead between the thermocouple and the transmitter needs to be extended, only use thermal or compensation cable appropriate for the connected thermocouple type.

Configure the input of the transmitter appropriately for the thermocouple type and the cold junction compensation actually used, otherwise measurement errors may be caused (see chapter 6.3 “Configuration”).



Should the cold junction compensation be operated with an external resistance thermometer (2-wire connection), connect this to terminals ② and ③.

## 9. Electrical connections

### 9.3.4 Connect mV sensor

Make sure that the mV sensor is connected with the correct polarity.

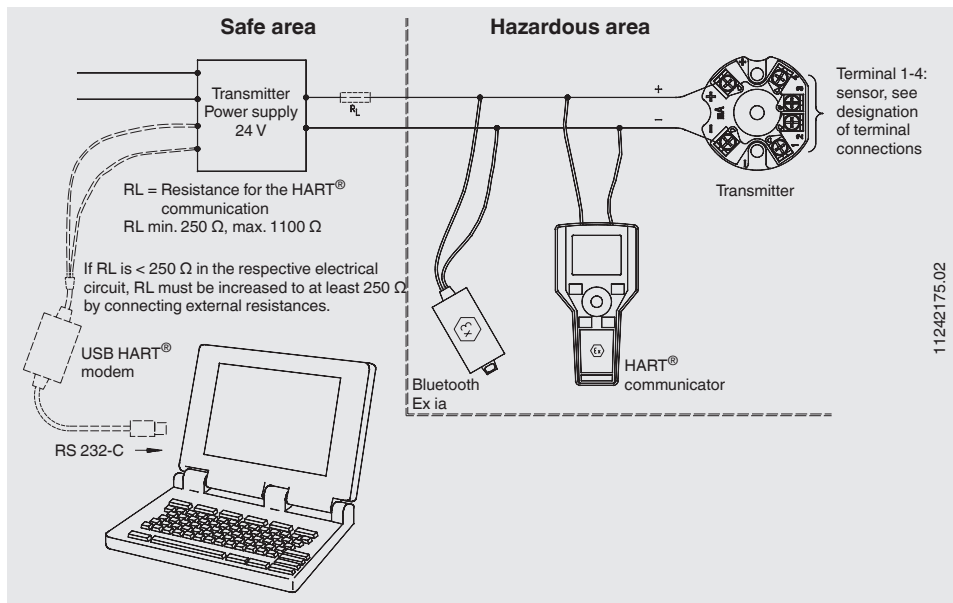
### 9.3.5 Potentiometer

Connection of a potentiometer is possible.

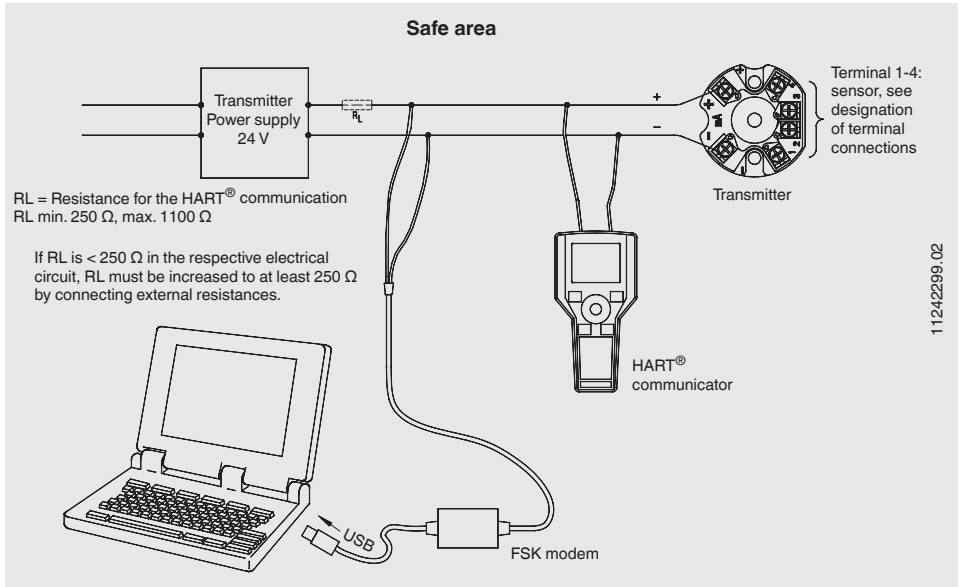
## 9.4 HART® signal

The HART® signal is measured directly via the 4 ... 20 mA signal line. The measuring circuit must have a load of at least 250 Ω. However, the load must not be too high, as otherwise, in the case of relatively high currents, the terminal voltage at the transmitter will be too low. For that reason, connect the cable clamps of the modem and/or the HART® communicator, as described (see chapter 6.5 “HART® configuration tree”) or use the existing communication connectors of a power supply/line transformer. The connection of the HART® modem and/or the HART® communicator is not dependant on polarity! The HART® modem or the HART® communicator may also be connected parallel to the resistor! When connecting an Ex version of the transmitter, observe the special conditions for safe use (see chapter 10 “Notes for mounting and operating in hazardous areas”).

### 9.4.1 Typical connection for hazardous area (head mounting)



## 9.4.2 Typical connection for safe area



EN

## 10. Notes for mounting and operating in hazardous areas

In hazardous areas, only use temperature transmitters that are approved for those hazardous areas. The approval is marked on the product label.

When connecting them to other devices or component, observe the connection requirements regarding explosion protection, such as maximum admissible voltage, power or load with capacitances (see chapter 10.2 “Special conditions for safe use (X conditions)”).

The following information is based mainly on the EU-type examination certificate, Certification No. BVS 08 ATEX E 019 X.

# 10. Notes for mounting and operating in hazardous areas

## 10.1 Model overview and their European approvals

Model	Ex protection and approval no.	Ignition protection type
<b>T32.1S.0IS-x</b> (head mounting version)	II 1G Ex ia IIC T4 <sup>1)</sup> /T5/T6 Ga II 1D Ex ia IIIC T135 °C Da	Intrinsically safe equipment
<b>T32.3S.0IS-x</b> (rail mounting version)	II 2(1)G Ex ia [ia Ga] IIC T4 <sup>1)</sup> /T5/T6 Gb II 2(1)D Ex ia [ia Da] IIIC T135 °C Db	Intrinsically safe equipment
<b>T32.1S.0IC-x</b> <b>T32.3S.0IC-x</b>	II 3G Ex ic IIC T4/T5/T6 Gc	Intrinsically safe equipment

1) For all European approvals T4 is 85 °C. The T4/T4/... dual marking seen on the product label is due, exclusively, to the FM approval, where T4 is limited to 80 °C.

The nominal electrical values for the head and the rail versions are identical.

For T32.xS.0IS: The intrinsically safe sensor circuit (optional 2-wire, 3-wire or 4-wire configuration) for both versions is intended for the supply of equipment in areas with 1G or 1D requirements.

The version T32.1S.0IS is designed for installation in housings or connection heads in areas with 1G, 2G or 1D, 2D requirements.

The version T32.3S.0IS is intended for installation in a housing which guarantees at least protection class IP20 (2G application or installation outside the hazardous area) or IP6x (2D application).

## 10.2 Special conditions for safe use (X conditions)

### T32.3S.xxx:

The surface of the case is not conductive. The temperature transmitter must be mounted in a way that electrostatic charges will not occur.

### T32.xS.0IS, T32.xS.0IS-x (providing IS level of protection Ex ia)

#### Installation in the safe area:

- The transmitter shall be mounted inside a housing providing as a minimum degree of protection IP 20 according to IEC 60529.
- Wiring inside the housing shall comply with clause 6.3.12 and clause 7.6.e of IEC 60079-11:2011.
- Connecting parts or connectors for the intrinsically safe circuits must be arranged in line with clause 6.2.1 or 6.2.2 of IEC 60079-11:2011 respectively.



### Installation in EPL Ga (Zone 0) or EPL Gb (Zone 1) area

#### ■ Transmitter models T32.1S.0IS, T32.1S.0IS-x:

- Due to application, the transmitter shall be mounted inside a housing, suitable for installation in EPL Ga (Zone 0) areas and wherein electrostatic charge effects are excluded.
- Due to application, the transmitter shall be mounted inside a housing, suitable for installation in EPL Gb (Zone 1) areas.

#### ■ Transmitter models T32.3S.0IS, T32.3S.0IS-x:

The transmitter must be mounted inside a housing, suitable for installation in an EPL Gb (Zone 1) area and thus electrostatic charge effects are excluded.

### Installation in EPL Da (Zone 20) or EPL Db (Zone 21) area

#### ■ Transmitter models T32.1S.0IS, T32.1S.0IS-x:

Due to application, the transmitter shall be mounted inside a housing, suitable for installation in EPL Da (Zone 20) or EPL Db (Zone 21) area, providing degree of protection IP6x according to IEC 60529.

#### ■ Transmitter models T32.3S.0IS, T32.3S.0IS-x:

Due to application, the transmitter shall be mounted inside a housing, suitable for installation in EPL Db (Zone 21), providing degree of protection IP6x according to IEC 60529.

### T32.xS.0IC, T32.xS.0IC-x (providing IS level of protection Ex ic)

#### Installation in EPL Gc (Zone 2):

- The transmitter models T32.1S.0IC, T32.1S.0IC-x shall be mounted inside a housing located in EPL Gc (Zone 2) area, providing as a minimum degree of protection IP20 according to IEC 60529.
- The transmitter shall be mounted inside a housing, suitable for installation in EPL Gb (zone 1) area and wherein electrostatic charge effects are excluded.
- Wiring inside the housing shall comply with clause 6.3.12 and clause 7.6.e of IEC 60079-11:2011.
- Connecting parts or connectors for the intrinsically safe circuits must be arranged in line with clause 6.2.1 or 6.2.2 of IEC 60079-11:2011 respectively.

# 10. Notes for mounting and operating in hazardous areas

## Installation in EPL Dc (Zone 22) area:

Level of protection "ic" not permitted for EPL Dc application.

### ■ Transmitter models T32.xS.0IS-x:

Transmitters with "ia" marking may also be used in supply circuits of type "ib" with the same connection parameters. Thereby, the whole measuring circuit (including the sensor circuit) is an "ib" circuit. Transmitters which were operated with supply circuits of type "ib" may not be re-used with supply circuits of type "ia".

- The external wiring shall be suitable for the ambient temperature range of the end use application. The maximum ambient temperature for T32 of 85 °C shall be considered. The minimum cross section for external wiring is 0.14 mm<sup>2</sup>.

## Operation in zone 0:

The temperature transmitter may only be operated in areas requiring category 1 equipment when the following atmospheric conditions exist:

Temperature: -20 ... +60 °C [-4 ... +140 °F]

Pressure: 0.8 ... 1.1 bar [11.60 ... 15.95 psi]

## Operation in zone 1 and zone 2:

In accordance with the temperature class, these transmitters may only be used in the following ambient temperature ranges:

Application	Ambient temperature range	Temperature class	Power P <sub>i</sub>
<b>Group II</b>	-60 <sup>1)</sup> / -50 °C ≤ T <sub>a</sub> ≤ +85 °C [-76 <sup>1)</sup> / -58 °F ≤ T <sub>a</sub> ≤ +185 °F]	T4	800 mW
	-60 <sup>1)</sup> / -50 °C ≤ T <sub>a</sub> ≤ +75 °C [-76 <sup>1)</sup> / -58 °F ≤ T <sub>a</sub> ≤ +167 °F]	T5	800 mW
	-60 <sup>1)</sup> / -50 °C ≤ T <sub>a</sub> ≤ +60 °C [-76 <sup>1)</sup> / -58 °F ≤ T <sub>a</sub> ≤ +140 °F]	T6	800 mW
<b>Dust Ex</b>	-60 <sup>1)</sup> / -50 °C ≤ T <sub>a</sub> ≤ +40 °C [-76 <sup>1)</sup> / -58 °F ≤ T <sub>a</sub> ≤ +104 °F]	n. a.	750 mW
	-60 <sup>1)</sup> / -50 °C ≤ T <sub>a</sub> ≤ +70 °C [-76 <sup>1)</sup> / -58 °F ≤ T <sub>a</sub> ≤ +158 °F]	n. a.	650 mW
	-60 <sup>1)</sup> / -50 °C ≤ T <sub>a</sub> ≤ +85 °C [-76 <sup>1)</sup> / -58 °F ≤ T <sub>a</sub> ≤ +185 °F]	n. a.	550 mW

n. a. = not applicable

1) Special version on request (only available with specific approvals), not for rail mounting version T32.3S, not for SIL version

# 10. Notes for mounting and operating in hazardous areas

## 10.3 Safety-related maximum values

### 10.3.1 Sensor circuit (terminals 1 to 4)

Parameters	Model T32.xS.0IS, T32.xS.0IS-x	Model T32.xS.0IC, T32.xS.0IC-x
<b>Level of protection</b>	Ex ia IIC/IIB/IIA Ex ia IIIC	Ex ic IIC/IIB/IIA
<b>Terminals</b>	1-4	
<b>Voltage <math>U_o</math></b>	DC 6.5 V	
<b>Strength of current <math>I_o</math></b>	9.3 mA	
<b>Power <math>P_o</math></b>	15.2 mW	
<b>Voltage <math>U_i</math></b>	n. a.	
<b>Strength of current <math>I_i</math></b>	n. a.	
<b>Power <math>P_i</math></b>	n. a.	
<b>Effective internal capacitance <math>C_i</math></b>	208 nF	
<b>Effective internal inductance <math>L_i</math></b>	negligible	
<b>Max. external capacitance <math>C_o</math></b>		
IIC	24 $\mu\text{F}$ <sup>1)</sup>	325 $\mu\text{F}$ <sup>1)</sup>
IIB IIIC	570 $\mu\text{F}$ <sup>1)</sup>	570 $\mu\text{F}$ <sup>1)</sup>
IIA	1,000 $\mu\text{F}$ <sup>1)</sup>	1,000 $\mu\text{F}$ <sup>1)</sup>
<b>Max. external inductance <math>L_o</math></b>		
IIC	365 mH	821 mH
IIB IIIC	1,644 mH	3,699 mH
IIA	3,288 mH	7,399 mH
<b>Max. inductance/resistance ratio <math>L_o/R_o</math></b>		
IIC	1.44 mH/ $\Omega$	3.23 mH/ $\Omega$
IIB IIIC	5.75 mH/ $\Omega$	12.9 mH/ $\Omega$
IIA	11.5 mH/ $\Omega$	25.8 mH/ $\Omega$
<b>Characteristics</b>	linear	

n. a. = not applicable

1) Ci not applicable

Notes:

$U_o$ : max. voltage of any conductor against the other three conductors

$I_o$ : max. current of three conductors parallel to the fourth conductor or any other combination

$P_o$ : max. power of three conductors parallel to the fourth conductor or any other combination

Due to separation requirements of the applied standards, IS supply- and signal-circuit and the IS sensor circuit shall be considered as being galvanically connected to each other.

EN

## 10.3.2 Intrinsically safe supply and signal circuit (4 ... 20 mA loop; terminal ⊕ and ⊖)

Parameters	T32.xS.0IS-x, T32.xS.0IC-x	T32.xS.0IS-x
	Gas hazardous application	Dust hazardous application
Terminals	+ / -	+ / -
Voltage $U_i$	DC 30 V	DC 30 V
Strength of current $I_i$	130 mA	130 mA
Power $P_i$	800 mW	750/650/550 mW <sup>1)</sup>
Effective internal capacitance $C_i$	7.8 nF	7.8 nF
Effective internal inductance $L_i$ <sup>2)</sup>	negligible	negligible

1) With reference to ambient temperature; see table "Temperature class".

2) Negligible for IECEx and ATEX only, 100 μH for all other Ex certifications



The supply and signal circuit and the intrinsically safe sensor circuit must be considered as galvanically connected to each other.

## 10.3.3 Connection of the HART® modem/HART® communicator (terminal ⊕ and ⊖)

- The sum of all voltages connected (supply plus output values of the HART® modem and/or HART® Communicator) must not exceed 30 V for T32.xS.0IS and T32.xS.0IC.
- The sum of the effective capacitances and inductances must not exceed the maximum permissible value according to the required gas group (IIA up to IIC).

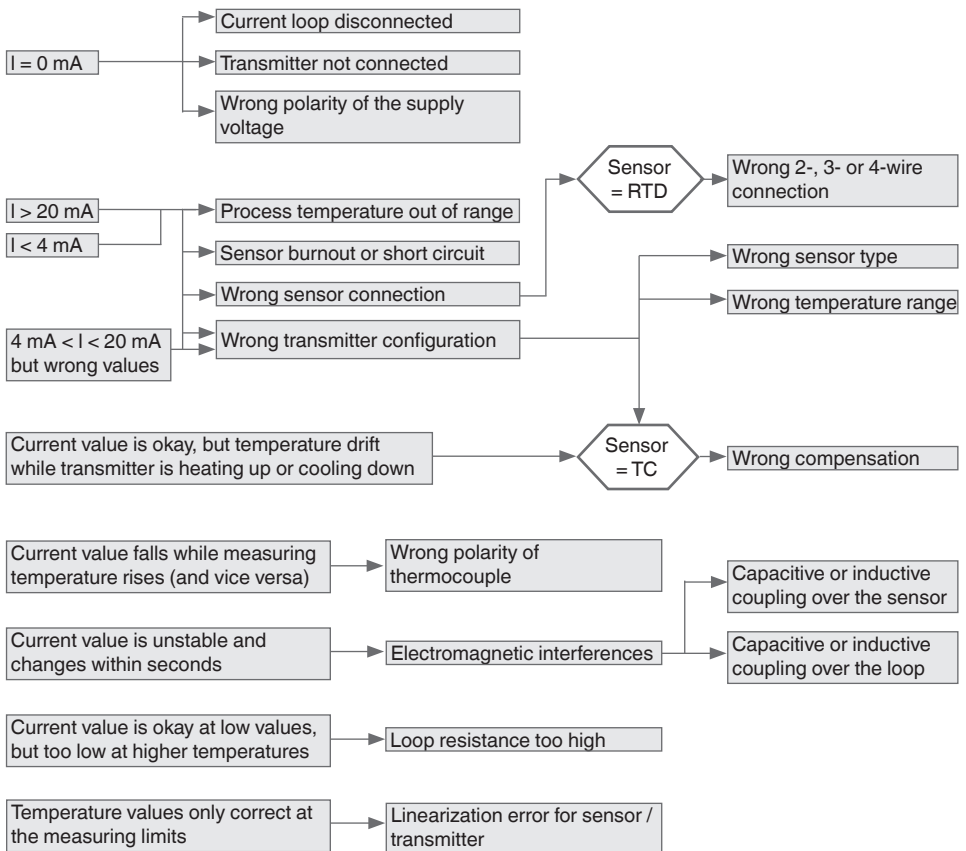
# 11. Maintenance

The temperature transmitter described in these operating instructions is maintenance-free! The electronics are completely encapsulated and incorporate no components which could be repaired or replaced.

Repairs must only be carried out by the manufacturer.

## 12. Faults

### Fault-tree



### CAUTION!

If deficiencies cannot be eliminated by means of the measures listed above, shut down the instrument immediately, and ensure that pressure and/or signal are no longer present, and secure the instrument from being put back into operation inadvertently. In this case, contact the manufacturer.



If a return is needed, please follow the instructions given in chapter 13.1 "Return" and enclose a short description of the problem, details of ambient conditions as well as period of operation before the problem occurred with the temperature transmitter.

### 13. Return and disposal



#### **WARNING!**

Residual media in the dismantled instrument can result in a risk to personnel, the environment and equipment. Take sufficient precautionary measures.

#### 13.1 Return



#### **WARNING!**

#### **Strictly observe the following when shipping the instrument:**

All instruments delivered to WIKA must be free from any kind of hazardous substances (acids, leachate, solutions, etc.).

When returning the instrument, use the original packaging or a suitable transport package.

#### **To avoid damage:**

1. Wrap the instrument in an antistatic plastic film.
2. Place the instrument, along with the shock-absorbing material, in the packaging.  
Place shock-absorbing material evenly on all sides of the shipping packaging.
3. If possible, place a bag, containing a desiccant, inside the packaging.
4. Label the shipment as transport of a highly sensitive measuring instrument.



The return form is available in the “Service” section on [www.wika.com](http://www.wika.com).

#### 13.2 Disposal

Incorrect disposal may endanger the environment.

Dispose of instrument components and packaging materials in an environmentally compatible way and in accordance with the country-specific waste disposal regulations.



Ensure a proper disposal in accordance with national regulations.

# Inhalt

<b>1. Allgemeines</b>	<b>41</b>
<b>2. Sicherheit</b>	<b>42</b>
2.1 Bestimmungsgemäße Verwendung . . . . .	43
2.2 Personalqualifikation . . . . .	43
2.3 Zusätzliche Sicherheitshinweise für Geräte nach ATEX . . . . .	44
2.4 Besondere Gefahren . . . . .	44
2.5 Versionierung nach NAMUR NE53 . . . . .	46
2.6 Beschilderung, Sicherheitskennzeichnungen . . . . .	47
<b>3. Technische Daten</b>	<b>49</b>
<b>4. Aufbau und Funktion</b>	<b>50</b>
4.1 Beschreibung . . . . .	50
4.2 Einsatz in sicherheitsgerichteten Anwendungen (Option) . . . . .	50
4.3 Lieferumfang . . . . .	50
<b>5. Transport, Verpackung und Lagerung</b>	<b>51</b>
5.1 Transport . . . . .	51
5.2 Verpackung . . . . .	51
5.3 Lagerung . . . . .	51
<b>6. Inbetriebnahme, Betrieb</b>	<b>52</b>
6.1 Erdung . . . . .	52
6.2 Montage . . . . .	53
6.3 Konfiguration . . . . .	55
6.4 FSK-Modem, HART®-Communicator anschließen. . . . .	57
6.5 HART®-Konfigurationsbaum (Teil 2 siehe nächste Seite) . . . . .	58
<b>7. Hinweise zum Einsatz in sicherheitsgerichteten Anwendungen (SIL)</b>	<b>60</b>
<b>8. WIKA T32-Konfigurationssoftware</b>	<b>60</b>
8.1 Starten der Software . . . . .	60
8.2 Verbindungsaufbau . . . . .	61
8.3 Gerätedaten bearbeiten (konfigurieren) . . . . .	61

<b>9. Elektrische Anschlüsse</b>	<b>63</b>
9.1 Hilfsenergie, 4 ... 20 mA-Stromschleife . . . . .	64
9.2 HART®-Loop-Anzeige (DIH50, DIH52) . . . . .	65
9.3 Sensoren. . . . .	65
9.4 HART®-Signal . . . . .	66
<b>10. Hinweise zu Montage und Betrieb im explosionsgefährdeten Bereich</b>	<b>67</b>
10.1 Typenübersicht der europäischen Zulassungen. . . . .	68
10.2 Besondere Bedingungen für die sichere Verwendung (X-Conditions) . . . . .	68
10.3 Sicherheitstechnische Maximalwerte . . . . .	71
<b>11. Wartung</b>	<b>72</b>
<b>12. Störungen</b>	<b>73</b>
<b>13. Rücksendung und Entsorgung</b>	<b>74</b>
13.1 Rücksendung . . . . .	74
13.2 Entsorgung . . . . .	74
<b>Annex 1: Installation drawing CSA/FM</b>	<b>75</b>
<b>Annex 2: EU declaration of conformity</b>	<b>78</b>

Konformitätserklärungen finden Sie online unter [www.wika.de](http://www.wika.de).



## 1. Allgemeines

- Der in der Betriebsanleitung beschriebene Temperaturtransmitter wird nach dem aktuellen Stand der Technik konstruiert und gefertigt. Alle Komponenten unterliegen während der Fertigung strengen Qualitäts- und Umweltkriterien. Unsere Managementsysteme sind nach ISO 9001 und ISO 14001 zertifiziert.
- Diese Betriebsanleitung gibt wichtige Hinweise zum Umgang mit dem Gerät. Voraussetzung für sicheres Arbeiten ist die Einhaltung aller angegebenen Sicherheitshinweise und Handlungsanweisungen.
- Die für den Einsatzbereich des Geräts geltenden örtlichen Unfallverhütungsvorschriften und allgemeinen Sicherheitsbestimmungen einhalten.
- Die Betriebsanleitung ist Produktbestandteil und muss für das Fachpersonal jederzeit zugänglich aufbewahrt werden.
- Das Fachpersonal muss die Betriebsanleitung vor Beginn aller Arbeiten sorgfältig durchgelesen und verstanden haben.
- Bei unterschiedlicher Auslegung der übersetzten und der englischen Betriebsanleitung ist der englische Wortlaut maßgebend.
- Die Haftung des Herstellers erlischt bei Schäden durch bestimmungswidrige Verwendung, Nichtbeachten dieser Betriebsanleitung, Einsatz ungenügend qualifizierten Fachpersonals sowie eigenmächtiger Veränderung am Gerät.
- Es gelten die allgemeinen Geschäftsbedingungen in den Verkaufsunterlagen.
- Technische Änderungen vorbehalten.
- Weitere Informationen:
  - Internet-Adresse: [www.wika.de](http://www.wika.de) / [www.wika.com](http://www.wika.com)
  - zugehöriges Datenblatt: TE 32.04
  - Kontakt: Tel.: +49 9372 132-0  
[info@wika.de](mailto:info@wika.de)

### Symbolerklärung



#### **WARNUNG!**

... weist auf eine möglicherweise gefährliche Situation hin, die zum Tod oder zu schweren Verletzungen führen kann, wenn sie nicht gemieden wird.



#### **VORSICHT!**

... weist auf eine möglicherweise gefährliche Situation hin, die zu geringfügigen oder leichten Verletzungen bzw. Sach- und Umweltschäden führen kann, wenn sie nicht gemieden wird.



### Information

... hebt nützliche Tipps und Empfehlungen sowie Informationen für einen effizienten und störungsfreien Betrieb hervor.



### GEFAHR!

... kennzeichnet Gefährdungen durch elektrischen Strom. Bei Nichtbeachtung der Sicherheitshinweise besteht die Gefahr schwerer oder tödlicher Verletzungen.



### WARNUNG!

... weist auf eine möglicherweise gefährliche Situation im explosionsgefährdeten Bereich hin, die zum Tod oder zu schweren Verletzungen führt, wenn sie nicht gemieden wird.

## 2. Sicherheit



### WARNUNG!

Vor Montage, Inbetriebnahme und Betrieb sicherstellen, dass der richtige Temperaturtransmitter hinsichtlich Messbereich, Ausführung und spezifischen Messbedingungen ausgewählt wurde.

Bei Nichtbeachten können schwere Körperverletzungen und/oder Sachschäden auftreten.



### WARNUNG!

Dies ist ein Betriebsmittel der Schutzklasse 3 zum Anschluss an Kleinspannungen, die von der Netzspannung oder Spannung größer AC 50 V bzw. DC 120 V getrennt sind. Zu bevorzugen ist ein Anschluss an SELV- oder PELV-Stromkreise; alternativ ist eine Schutzmaßnahme aus HD 60346-4-41 (DIN VDE 0100-410) zu empfehlen.

Alternativ für Nordamerika:

Der Anschluss kann auch an „Class 2 Circuits“ oder „Class 2 Power Units“ gemäß CEC (Canadian Electrical Code) oder NEC (National Electrical Code) erfolgen



Weitere wichtige Sicherheitshinweise befinden sich in den einzelnen Kapiteln dieser Betriebsanleitung.

### 2.1 Bestimmungsgemäße Verwendung

Der Temperaturtransmitter Typ T32.xS ist ein universeller, via HART®-Protokoll konfigurierbarer Transmitter für Widerstandsthermometer (RTD), Thermoelemente (TC), Widerstands- und Spannungsgeber sowie Potentiometer.

Das Gerät ist ausschließlich für den hier beschriebenen bestimmungsgemäßen Verwendungszweck konzipiert und konstruiert und darf nur dementsprechend verwendet werden.

Die technischen Spezifikationen in dieser Betriebsanleitung sind einzuhalten. Eine unsachgemäße Handhabung oder ein Betreiben des Geräts außerhalb der technischen Spezifikationen macht die sofortige Stilllegung und Überprüfung durch einen autorisierten WIKA-Servicemitarbeiter erforderlich.

Wird das Gerät von einer kalten in eine warme Umgebung transportiert, so kann durch Kondensatbildung eine Störung der Gerätefunktion eintreten. Vor einer erneuten Inbetriebnahme die Angleichung der Gerätetemperatur an die Raumtemperatur abwarten.

Ansprüche jeglicher Art aufgrund von nicht bestimmungsgemäßer Verwendung sind ausgeschlossen.

### 2.2 Personalqualifikation



#### **WARNUNG!**

#### **Verletzungsgefahr bei unzureichender Qualifikation!**

Unsachgemäßer Umgang kann zu erheblichen Personen- und Sachschäden führen.

- Die in dieser Betriebsanleitung beschriebenen Tätigkeiten nur durch Fachpersonal nachfolgend beschriebener Qualifikation durchführen lassen.
- Unqualifiziertes Personal von den Gefahrenbereichen fernhalten.

#### **Fachpersonal**

Das Fachpersonal ist aufgrund seiner fachlichen Ausbildung, seiner Kenntnisse der Mess- und Regelungstechnik und seiner Erfahrungen sowie Kenntnis der landesspezifischen Vorschriften, geltenden Normen und Richtlinien in der Lage, die beschriebenen Arbeiten auszuführen und mögliche Gefahren selbstständig zu erkennen.

Spezielle Einsatzbedingungen verlangen weiteres entsprechendes Wissen, z. B. über aggressive Medien.

### 2.3 Zusätzliche Sicherheitshinweise für Geräte nach ATEX



#### **WARNUNG!**

Die Nichtbeachtung dieser Inhalte und Anweisungen kann zum Verlust des Explosionsschutzes führen.

DE



#### **WARNUNG!**

- Die jeweiligen Vorschriften bezüglich Ex-Einsatz einhalten
- Äußerlich beschädigte Transmitter nicht verwenden!

### 2.4 Besondere Gefahren



#### **WARNUNG!**

Die Angaben der geltenden Baumusterprüfbescheinigung sowie die jeweiligen landesspezifischen Vorschriften zur Installation und Einsatz in explosionsgefährdeten Bereichen (z. B. IEC 60079-14, NEC, CEC) einhalten. Bei Nichtbeachten können schwere Körperverletzungen und/oder Sachschäden auftreten.

Weitere wichtige Sicherheitshinweise für Geräte mit ATEX-Zulassung siehe Kapitel 2.3 „Zusätzliche Sicherheitshinweise für Geräte nach ATEX“.



#### **WARNUNG!**

Die im Gerät vorhandene funktionale galvanische Trennung ist nicht geeignet einen Schutz gegen elektrischen Schlag im Sinne der EN 61140 sicherzustellen.



#### **WARNUNG!**

Bei gefährlichen Messstoffen wie z. B. Sauerstoff, Acetylen, brennbaren oder giftigen Stoffen, sowie bei Kälteanlagen, Kompressoren etc. müssen über die gesamten allgemeinen Regeln hinaus die einschlägigen Vorschriften beachtet werden.



#### **WARNUNG!**

Für ein sicheres Arbeiten am Gerät muss der Betreiber sicherstellen,

- dass eine entsprechende Erste-Hilfe-Ausrüstung vorhanden ist und bei Bedarf jederzeit Hilfe zur Stelle ist.
- dass das Bedienpersonal regelmäßig in allen zutreffenden Fragen von Arbeitssicherheit, Erste-Hilfe und Umweltschutz unterwiesen wird, sowie die Betriebsanleitung und insbesondere die darin enthaltenen Sicherheitshinweise kennt.



### **WARNUNG!**

Bei Arbeiten während eines laufenden Prozessbetriebes Maßnahmen zur Vermeidung elektrostatischer Entladung auf die Anschlussklemmen treffen, da Entladungen zu vorübergehenden Verfälschungen des Messwertes führen können.

Den Temperaturtransmitter Typ T32.1S nur in geerdeten Thermometern einsetzen! Beim Anschluss eines Widerstandssensors (z. B. Pt100) an den T32.3S wird der Einsatz eines geschirmten Kabels empfohlen. In diesem Fall muss der Schirm elektrisch leitend mit dem Gehäuse des geerdeten Thermometers, oder des Schaltschranks verbunden werden. (Zeichnungen hierzu siehe Kapitel 6.1 „Erdung“)

Der Anschluss eines Thermoelementsensors an den T32.3S muss mit einem geschirmten Kabel erfolgen. Der Schirm muss elektrisch leitend mit dem Gehäuse des geerdeten Thermometers verbunden werden und zusätzlich auf der Seite des T32.3S geerdet werden. Bei der Installation ist auf Potentialausgleich zu achten, so dass keine Ausgleichsströme über den Schirm fließen können. Hierbei insbesondere die Installationsvorschriften für explosionsgefährdete Bereiche beachten!

Das Gehäuse ist aus Kunststoff hergestellt. Um die Gefahr von elektrostatischen Aufladungen zu vermeiden sollte die Kunststoffoberfläche nur mit einem feuchten Tuch gereinigt werden.



### **GEFAHR!**

#### **Lebensgefahr durch elektrischen Strom**

Bei Berührung mit spannungsführenden Teilen besteht unmittelbare Lebensgefahr.

- Einbau und Montage des Geräts dürfen nur durch Fachpersonal erfolgen.
- Bei Betrieb mit einem defekten Netzgerät (z. B. Kurzschluss von Netzspannung zur Ausgangsspannung) können am Gerät lebensgefährliche Spannungen auftreten!



### **WARNUNG!**

Nur Geräte wie in Kapitel 4.2 „Einsatz in sicherheitsgerichteten Anwendungen (Option)“ beschrieben sind geeignet für den Einsatz in sicherheitsgerichteten Anwendungen. Andere Geräte nicht in Sicherheits- oder in Not-Aus-Einrichtungen benutzen. Fehlerhafte Anwendungen des Geräts können zu Verletzungen führen.

### 2.5 Versionierung nach NAMUR NE53

#### 2.5.1 HART® 5-Geräte

Version	Bemerkungen	Konfiguration WIKA_T32 Software	T32 HART® Geräterevision	Zugehörige DD (Device Description)
v2.1.3	erste T32.xS Version	v1.50	3	Dev v3, DD v1
v2.2.1 <sup>1)</sup>	T32.xS Version mit Option SIL	v1.51	3	Dev v3, DD v1
v2.2.3 <sup>1)</sup>	T32.xS (Änderungsmittlung Q2/2014)	v1.51	3	Dev v3, DD v1

1) Bei Geräten ohne SIL wird ein Neustart des Transmitters nach Aktivierung des Schreibschutzes empfohlen.

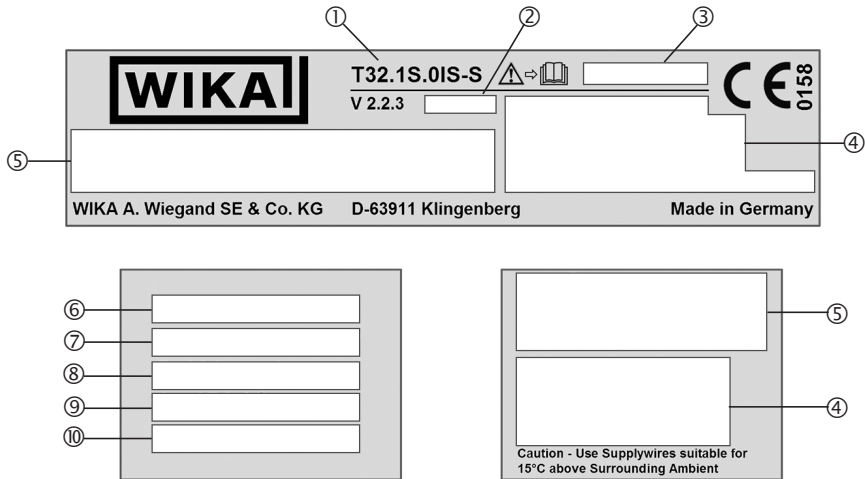
#### 2.5.2 Option: HART® 7-Geräte

Version	Bemerkungen	Konfiguration WIKA_T32 Software	T32 HART® Geräterevision	Zugehörige DD (Device Description)
v2.3.1	Optionale HART® 7-Version	v1.51	4	Dev v3, DD v1

### 2.6 Beschilderung, Sicherheitskennzeichnungen

#### Typenschild (Beispiel)

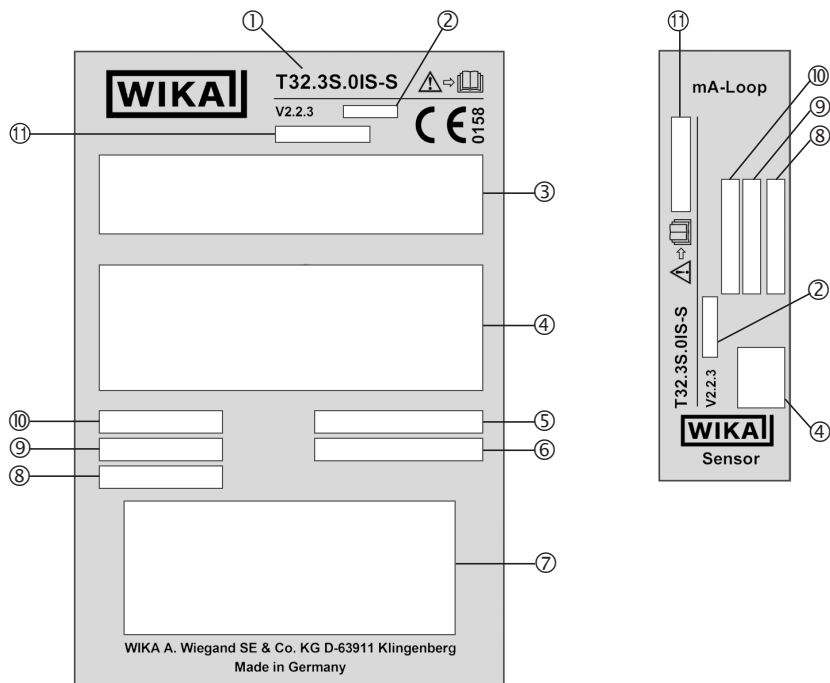
- Kopfversion, Typ T32.1S



- ① Typ  
mit SIL: T32.1S.01S-S  
ohne SIL: T32.1S.01S-Z
- ② Herstellungsdatum (Jahr-Monat)
- ③ Seriennummer
- ④ Ex-Kennzeichnung
- ⑤ Zulassungslogos
- ⑥ Hilfsenergie
- ⑦ Ausgangssignal, HART® Version
- ⑧ Sensor, Pt100 oder RTD
- ⑨ Messbereich
- ⑩ TAG-Nummer

## 2. Sicherheit

### ■ Schienenversion, Typ T32.3S



- ① Typ  
mit SIL: T32.3S.0IS-S  
ohne SIL: T32.3S.0IS-Z
- ② Herstellungsdatum (Jahr-Monat)
- ③ Ex-Kennzeichnung
- ④ Zulassungslogos
- ⑤ Hilfsenergie
- ⑥ Ausgangssignal, HART® Version
- ⑦ Anschlussbelegung
- ⑧ TAG-Nummer
- ⑨ Messbereich
- ⑩ Sensor, Pt100 oder RTD
- ⑪ Seriennummer



Vor Montage und Inbetriebnahme des Geräts unbedingt die Betriebsanleitung lesen!



## 3. Technische Daten

Technische Daten	Typ T32.xS
<b>Zulässige Umgebungstemperatur</b>	-60 <sup>1)</sup> / -50 <sup>2)</sup> / -40 ... +85 °C [-76 <sup>1)</sup> / -58 <sup>2)</sup> / -40 ... +185 °F]
<b>Klimaklasse nach IEC 654-1: 1993</b>	Cx (-40 ... +85 °C, 5 ... 95 % r. F.)
<b>Maximal zulässige Feuchte</b> ■ Typ T32.1S nach IEC 60068-2-38: 1974 ■ Typ T32.3S nach IEC 60068-2-30: 2005	Prüfung max. Temperaturwechsel 65 °C [149 °F] und -10 °C [+14 °F], r. F. 93 % ±3 % Prüfung max. Temperatur 55 °C, r. F. 95 %
<b>Vibrationsbeständigkeit nach IEC 60068-2-6: 2007</b>	Prüfung Fc: 10 ... 2.000 Hz; 10 g, Amplitude 0,75 mm [0,03 in]
<b>Schockfestigkeit nach IEC 68-2-27: 1987</b>	Prüfung Ea: Beschleunigung Typ I 30 g und Typ II 100 g
<b>Salznebel nach IEC 60068-2-52</b>	Schärfegrad 1
<b>Freifall in Anlehnung an IEC 60721-3-2: 1997</b>	Fallhöhe 1.500 mm [59,06 in]
<b>Elektromagnetische Verträglichkeit (EMV) <sup>3)</sup></b>	EN 61326 Emission (Gruppe 1, Klasse B) und Störfestigkeit (industrieller Bereich), sowie nach NAMUR NE21

DE

- 1) Sonderausführung auf Anfrage (nur mit ausgewählten Zulassungen verfügbar), nicht für Schienenversion T32.3S, nicht für SIL-Ausführung
- 2) Sonderausführung, nicht für Schienenversion T32.3S
- 3) Während der Störbeeinflussung eine erhöhte Messabweichung von bis zu 1 % berücksichtigen.

Weitere technische Daten siehe WIKA-Datenblatt TE 32.04 und Bestellunterlagen.



Weitere wichtige Sicherheitshinweise für den Betrieb in explosionsgefährdeten Bereichen siehe Kapitel 10 „Hinweise zu Montage und Betrieb im explosionsgefährdeten Bereich“.

### 4. Aufbau und Funktion

#### 4.1 Beschreibung

Der Temperaturtransmitter Typ T32.xS dient zur Umwandlung eines Widerstandswertes oder eines Spannungswertes in ein proportionales Stromsignal (4 ... 20 mA). Dabei werden die Sensoren permanent auf ihre einwandfreie Funktion überwacht.

DE

Der Temperaturtransmitter erfüllt die Anforderungen an:

- Funktionale Sicherheit gemäß IEC 61508 / IEC 61511-1 (je nach Ausführung)
- Explosionsschutz (je nach Version)
- Elektromagnetische Verträglichkeit nach NAMUR-Empfehlung NE21
- Die Signalisierung am Analogausgang gemäß NAMUR-Empfehlung NE43
- Eine Fühlerbruchsignalisierung gemäß NAMUR-Empfehlung NE89 (Korrosionsüberwachung Sensoranschluss)

#### 4.2 Einsatz in sicherheitsgerichteten Anwendungen (Option)



Der Typ T32.xS.xxx-S (Ausführung SIL) ist für den Einsatz in sicherheitsgerichteten Anwendungen konzipiert.

Die Kennzeichnung dieser Ausführungsvariante ist in Kapitel 2.6 „Beschilderung, Sicherheitskennzeichnungen“ dargestellt. Für den Einsatz in sicherheitsgerichteten Anwendungen sind zusätzliche Bedingungen zu beachten (siehe Sicherheitshandbuch „Hinweise zur funktionalen Sicherheit des Typs T32.xS“). Die darin enthaltenen Hinweise sind unbedingt zu beachten.

#### 4.3 Lieferumfang

Lieferumfang mit dem Lieferschein abgleichen.

### 5. Transport, Verpackung und Lagerung

#### 5.1 Transport

Gerät auf eventuell vorhandene Transportschäden untersuchen.  
Offensichtliche Schäden unverzüglich mitteilen.

#### 5.2 Verpackung

Verpackung erst unmittelbar vor der Montage entfernen.  
Die Verpackung aufbewahren, denn diese bietet bei einem Transport einen optimalen Schutz (z. B. wechselnder Einbauort, Reparatursendung).

#### 5.3 Lagerung

##### Zulässige Bedingungen am Lagerort:

- Lagertemperatur: -40 ... +85 °C [-40 ... +185 °F]
- Feuchtigkeit: 95 % relative Feuchte

##### Vermeidung folgender Einflüsse:

- Direktes Sonnenlicht oder Nähe zu heißen Gegenständen
- Mechanische Vibration
- Ruß, Dampf, Staub und korrosive Gase

### 6. Inbetriebnahme, Betrieb

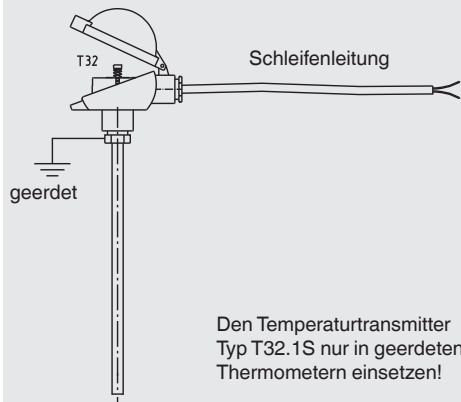


Im explosionsgefährdeten Bereich nur Temperaturtransmitter einsetzen, die für diesen explosionsgefährdeten Bereich zugelassen sind. Die Zulassung ist auf dem Typenschild vermerkt.

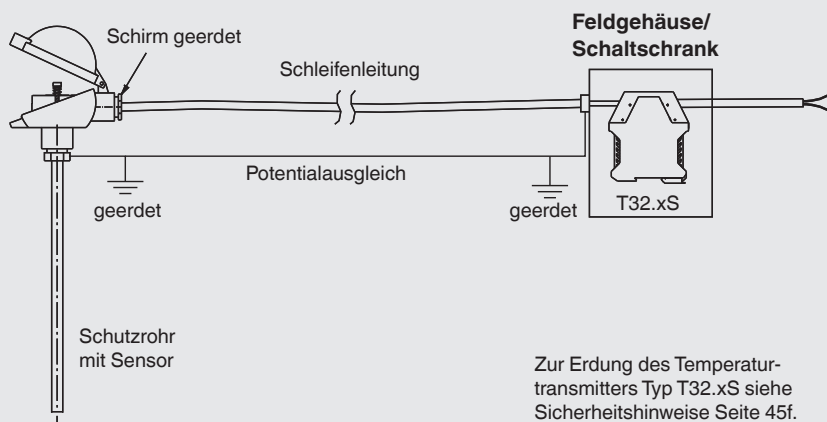
DE

#### 6.1 Erdung

##### Anschlusskopf BSZ

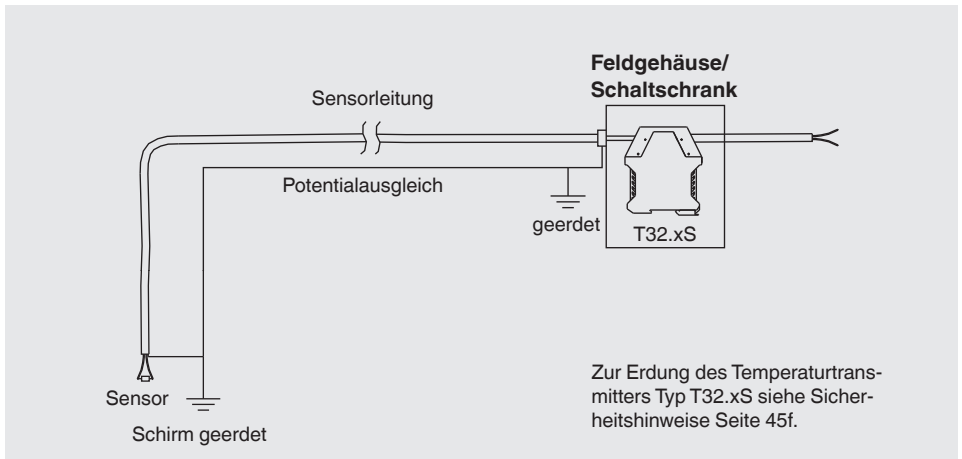


##### Anschlusskopf BSZ



## 6. Inbetriebnahme, Betrieb

In Applikationen mit erhöhten EMV-Anforderungen empfiehlt sich, v. a. in Verbindung mit langen Zuleitungen zum Sensor, der Einsatz einer geschirmten Leitung zwischen Transmitter und Sensor. Beispielhafte Darstellung siehe Zeichnung.

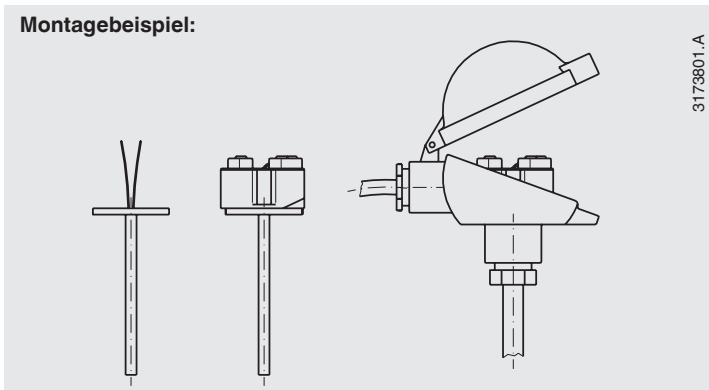


DE

### 6.2 Montage

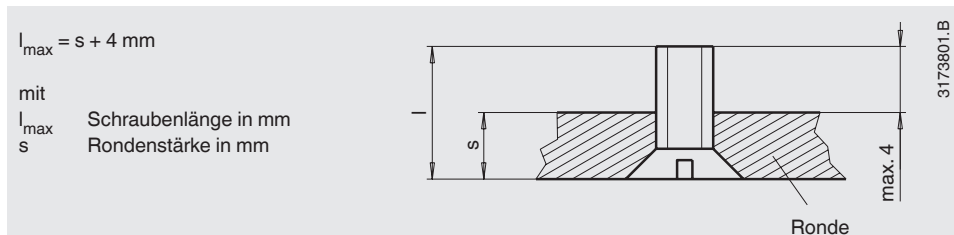
#### 6.2.1 Transmitter in Kopfversion (Typ T32.1S)

Die Transmitter in Ausführung Kopfversion (Typ T32.1S) sind vorgesehen zur Montage auf einem Messeinsatz im DIN-Anschlusskopf der Form B mit erweitertem Montageaum. Die Anschlussdrähte des Messeinsatzes müssen ca. 50 mm lang und isoliert ausgeführt sein.



### Montage auf Messeinsatz

Mit zwei Senkkopfschrauben M3 nach EN ISO 2009 den Transmitter auf der Ronde des Messeinsatzes befestigen. Auf der Unterseite des Gehäuses sind entsprechende Gewindeinsätze eingepresst. Die zulässige Schraubenlänge ergibt sich bei korrekt ausgeführter Senkung aus:



Vor dem Einschrauben die Schraubenlänge prüfen:

Schraube in die Ronde einstecken und das Maß 4 mm [0,16 in] nachmessen!



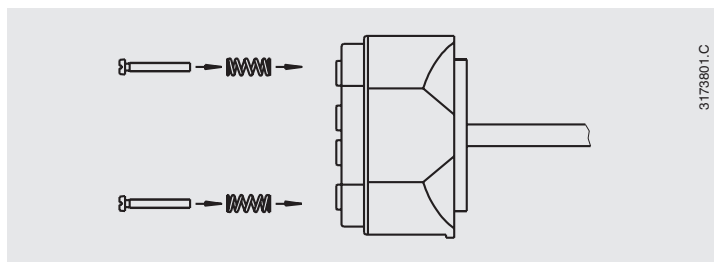
#### VORSICHT!

Maximal zulässige Schraubenlänge nicht überschreiten!

Beschädigung des Temperaturtransmitters, falls die Schraube mehr als 4 mm [0,16 in] in den Transmitterboden eingeschraubt wird.

### Montage im Anschlusskopf

Messeinsatz mit montiertem Transmitter in die Schutzarmatur einstecken und im Anschlusskopf mit Schrauben federnd befestigen.



### Montage mittels Hutschienen-Adapter

Mit dem als Zubehör erhältlichen mechanischen Adapter können auch die Kopf-Transmitter T32.1S auf einer Hutschiene befestigt werden.

#### 6.2.2 Transmitter in Schienenversion (Typ T32.3S)

Das Schienengehäuse (Typ T32.3S) wird ohne Hilfsmittel durch einfaches Aufrasten auf eine 35 mm Hutschiene (EN 60715) befestigt.

Die Demontage erfolgt durch das Entriegeln des Rastelementes.

### 6.3 Konfiguration

Konfigurierbar sind Sensortyp, Sensoranschluss, Anwender-Messbereich, Ausgangsgrenzen, Signalisierung, Klemmenspannungsüberwachung, Fühlerbruchüberwachung, Messbereichsüberwachung, Messrate, Dämpfung, Schreibschutz, Offset-Werte (1-Punkt-Korrektur), TAG-Nr. sowie Anwender-Linearisierung (Kundenspezifische Kennlinie). Des Weiteren kann mittels 2-Punkt-Korrektur der Prozesswert linear transformiert werden.

Anwender-Linearisierung:

Mittels Software können kundenspezifische Sensorkennlinien im Transmitter abgelegt werden, um weitere Sensortypen abbilden zu können. Anzahl der Stützstellen: min. 2; max. 30. Bei Anschluss von 2 Sensoren (Doppelsensorfunktion) können weitere Konfigurationen vorgenommen werden. Bei der Doppelsensorfunktion werden zwei gleiche Sensoren (Widerstandssensor oder Thermoelement) mit jeweils gleichen Messbereichen angeschlossen und miteinander verrechnet.

Ausgeliefert werden die Temperaturtransmitter mit einer Grundkonfiguration (siehe Datenblatt TE 32.04) oder konfiguriert nach Kundenvorgabe. Nachträgliche Änderungen der Konfiguration mit einem wasserfesten Faserschreiber auf dem Typenschild notieren.



Zur Konfiguration des T32 ist eine Simulation des Eingangswertes nicht erforderlich. Lediglich zur Funktionsüberprüfung ist eine Simulation des Sensors notwendig.

#### Konfigurierbare Sensorfunktionalität beim Anschluss von 2 Sensoren (Doppelsensor)

Sensor 1, Sensor 2 redundant:

Das Ausgangssignal 4 ... 20 mA liefert den Prozesswert von Sensor 1. Fällt Sensor 1 aus wird der Prozesswert von Sensor 2 ausgegeben (Sensor 2 ist redundant).

Mittelwert:

Das Ausgangssignal 4 ... 20 mA liefert den Mittelwert aus Sensor 1 und Sensor 2. Fällt ein Sensor aus, wird der Prozesswert des fehlerfreien Sensors ausgegeben.

Minimalwert:

Das Ausgangssignal 4 ... 20 mA liefert den Minimalwert bezogen auf Sensor 1 und Sensor 2. Fällt ein Sensor aus, wird der Prozesswert des fehlerfreien Sensors ausgegeben.

Maximalwert:

Das Ausgangssignal 4 ... 20 mA liefert den Maximalwert bezogen auf Sensor 1 und Sensor 2. Fällt ein Sensor aus, wird der Prozesswert des fehlerfreien Sensors ausgegeben.

Differenz:

Das Ausgangssignal 4 ... 20 mA liefert die Differenz aus Sensor 1 und Sensor 2. Fällt ein Sensor aus, wird ein Fehler signalisiert.

### Konfigurierbare Überwachungsfunktionen

Messbereichsüberwachung:

Ist diese aktiviert, erfolgt im Falle Messbereichsüber-/unterschreitung eine Fehlersignalisierung auf der Stromschleife (< 3,6 mA).

### Konfigurierbare Überwachungsfunktionen beim Anschluss von 2 Sensoren (Doppelsensor)



Die folgenden Möglichkeiten stehen nicht im Differenzmodus zur Verfügung!

Redundanz/Hot-Backup:

Bei einem Sensorfehler (Fühlerbruch, Leitungswiderstand zu hoch oder Sensormessbereich verlassen) bei einem von beiden Sensoren, basiert der Prozesswert nur auf dem fehlerfreien Sensor. Ist der Fehler behoben, basiert der Prozesswert wieder auf beiden Sensoren, bzw. auf Sensor 1.

Alterungs-Überwachung (Sensor-Drift-Überwachung):

Es wird eine Fehlersignalisierung am Ausgang erzeugt, wenn der Betrag der Temperaturdifferenz zwischen Sensor 1 und Sensor 2 größer wird als ein vom Anwender wählbarer Wert. Diese Überwachung führt nur dann zur Signalisierung, wenn zwei gültige Sensorwerte ermittelt werden konnten und die Temperaturdifferenz größer als der gewählte Grenzwert ist. (Nicht für die Sensorfunktionalität „Differenz“ wählbar, da dort das Ausgangssignal bereits den Differenzwert beschreibt).

#### 6.3.1 Konfigurieren mit dem PC

Zur Konfiguration des Transmitters ist immer eine Konfigurationssoftware und ein HART®-Modem notwendig. WIKA bietet aus diesem Grunde 4 verschiedene HART®-Modems an.

- ① VIATOR® HART® USB, Bestellnummer: 11025166
- ② VIATOR® HART® USB PowerXpress™, Bestellnummer: 14133234
- ③ VIATOR® HART® RS-232, Bestellnummer: 7957522
- ④ VIATOR® HART® Bluetooth® Ex, Bestellnummer: 11364254



Das HART®-Modem kann zusammen mit der genannten Konfigurationssoftware (siehe Kapitel 8 „WIKA T32-Konfigurationssoftware“) verwendet werden.





### Konfigurationssoftware WIKA T32

Empfohlen wird die Nutzung der WIKA T32 Konfigurationssoftware. Diese wird ständig aktualisiert und den Firmware-Erweiterungen des T32 angepasst. Somit ist immer der volle Zugriff auf alle Funktionalitäten und Parameter des Transmitters gewährleistet (siehe Kapitel 8 „WIKA T32-Konfigurationssoftware“).

### Weitere Konfigurationssoftware

Konfigurationen am T32 mit den folgenden Softwaretools vornehmen:

- AMS und SIMATIC PDM (T32\_EDD)
- FieldMate, PACTware, SmartVision und Fieldcare (DTM\_T32)
- DTM in FDT 1.2 Rahmenapplikation

Mit jedem anderen HART®-Konfigurationstool können die Funktionalitäten des Generic Modus bedient werden (z. B. Messbereich oder TAG-Nr).



Weitere Informationen zur Konfiguration des T32 mit den genannten Softwaretools sind auf Anfrage erhältlich.

### 6.3.2 DD-Version

Der Temperaturtransmitter Typ T32.xS kann mit folgenden DTM bzw. DD-Versionen bedient werden.

T32 HART®- Geräteversion	Zugehörige DD (Device Description)	T32 HART® DTM
0	Dev v0, DD v2	DTM 1.0.2
1	Dev v1, DD v1	DTM 1.0.2
2	Dev v2, DD v1	DTM 1.0.2
3	Dev v3, DD v1	DTM 2.0.0.175, DTM 2.1.0
<b>Optional: HART® 7-Version</b>		
4	Dev v3, DD v1	DTM 2.1.0

### 6.3.3 HART® Communicator (FC375, FC475, MFC4150, MFC5150)

Das Anwählen der Gerätefunktionen erfolgt beim HART® Communicator über verschiedene Menüebenen, sowie mit Hilfe einer speziellen HART® Funktionsmatrix (siehe Kapitel 6.5 „HART®-Konfigurationsbaum“).

### 6.4 FSK-Modem, HART®-Communicator anschließen



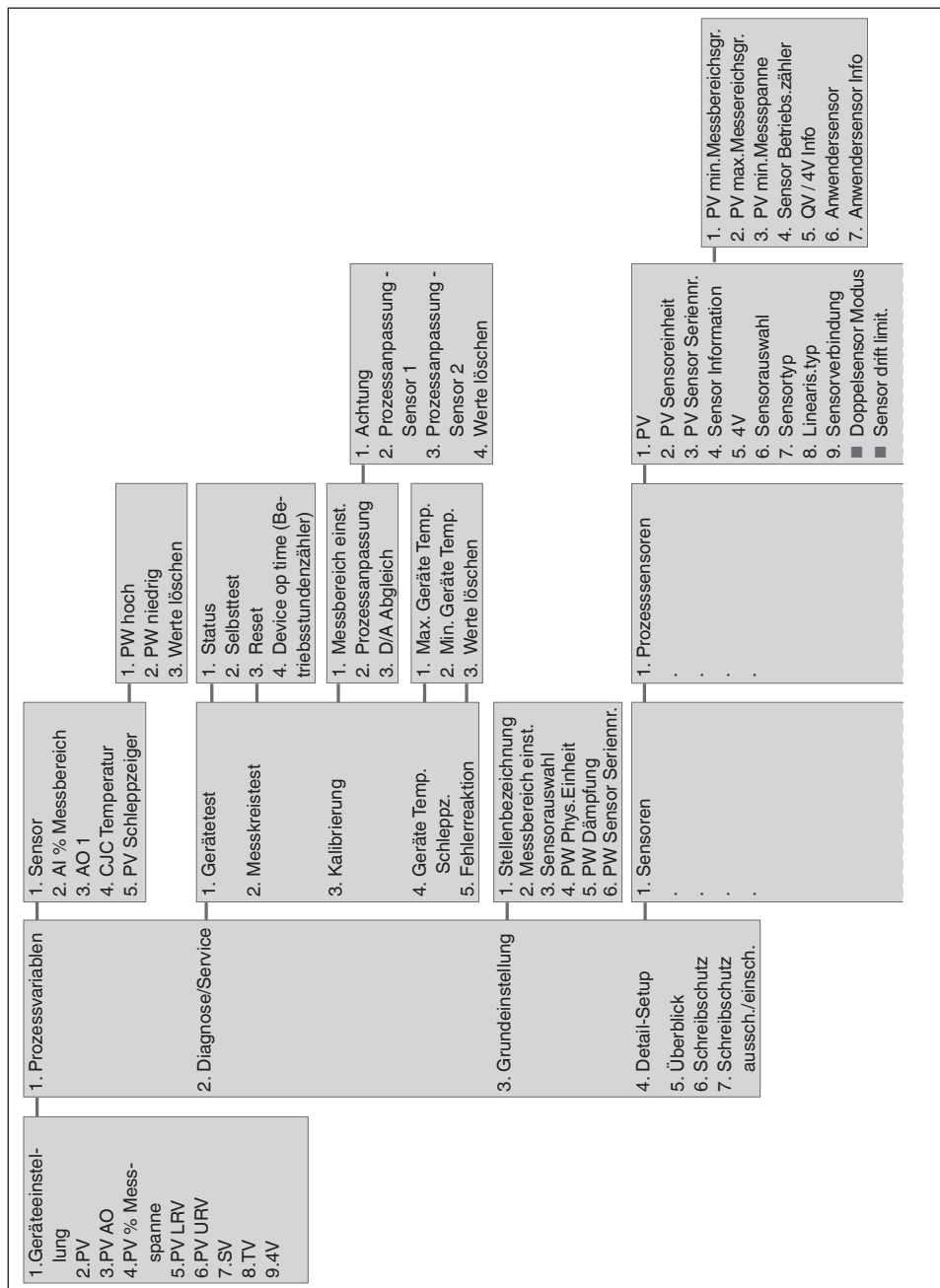
#### WARNUNG!

- Der Messkreis muss eine Bürde von mindestens 250 Ω aufweisen.
- Bei allen Transmittern mit Ex-Schutz Kapitel 10 „Hinweise zu Montage und Betrieb im explosionsgefährdeten Bereich“ beachten.

Bei den meisten verfügbaren Speisegeräten ist dieser Widerstand bereits im Gerät integriert und deshalb nicht erforderlich. Oftmals existiert bereits ein spezieller Anschluss für das FSK-Modem.

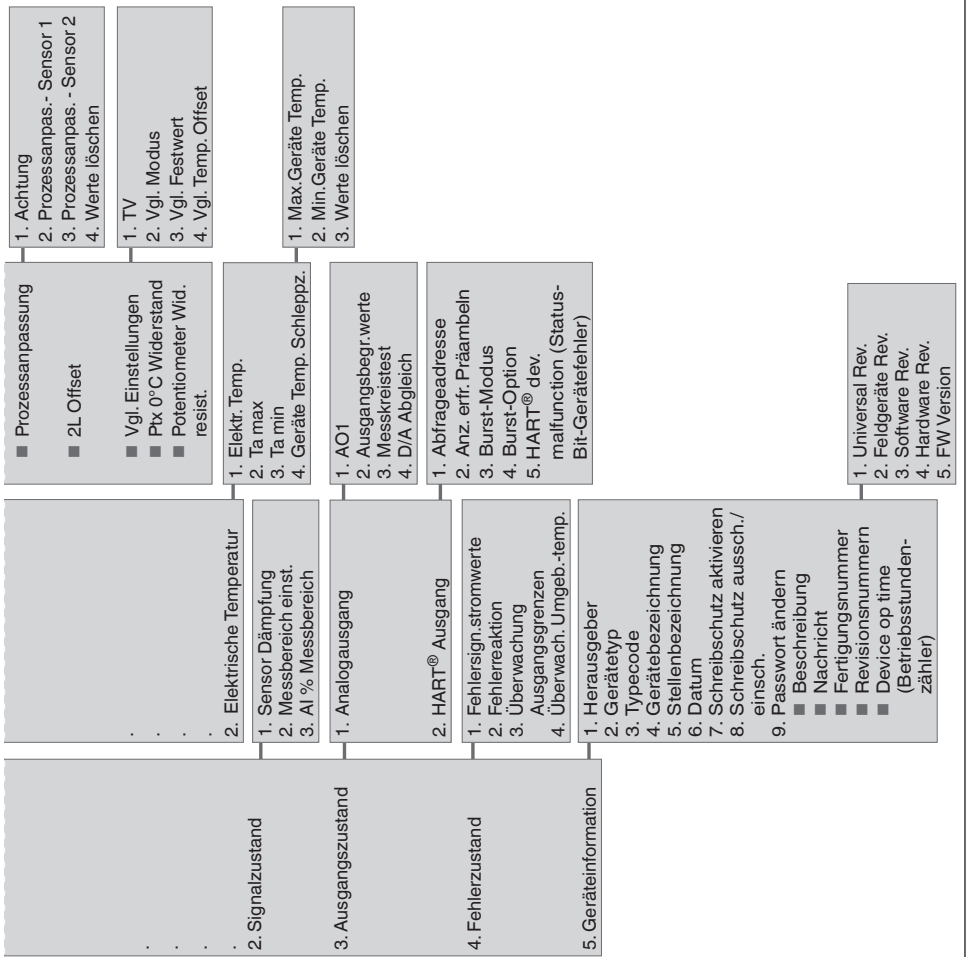
## 6.5 HART®-Konfigurationsbaum (Teil 2 siehe nächste Seite)

DE



## HART®-Konfigurationsbaum (Teil 2)

DE



### Verwendete Abkürzungen

PV: Prozesswert  
SV: interne Elektronik-Temperatur  
TV: Thermoelement Kompensations-Temperatur  
AO: Analoger Ausgang

DE

URV: Max. Wert  
LRV: Min. Wert  
LSL: Min. Sensorgrenze  
USL: Max. Sensorgrenze

## 7. Hinweise zum Einsatz in sicherheitsgerichteten Anwendungen (SIL)



Der Typ T32.xS.xxx-S (Ausführung SIL) ist für den Einsatz in sicherheitsgerichteten Anwendungen konzipiert.

Für den Einsatz in sicherheitsgerichteten Anwendungen sind zusätzliche Bedingungen zu beachten (siehe Sicherheitshandbuch „Hinweise zur funktionalen Sicherheit des Typs T32.xS“). Die darin enthaltenen Hinweise sind unbedingt zu beachten.

## 8. WIKA T32-Konfigurationssoftware

Zur Installation den Anweisungen der Installationsroutine folgen.  
Kostenfreier Download der aktuellen Version der WIKA\_T32 Software unter [www.wika.de](http://www.wika.de).

### 8.1 Starten der Software

Die WIKA T32 Software mit einem Doppelklick auf das WIKA T32 Icon starten.



Um vollen Zugriff auf alle Funktionen und Parameter des T32 zu haben, Zugangsebene „Spezialist“ wählen. Bei der Installation der Software ist kein Passwort aktiviert!

## 8.2 Verbindungsaufbau

Über den Menüpunkt „Verbindungsaufbau“ → „Einzelgerät“ wird eine Verbindung zu einem HART® fähigen Gerät mit der HART® Kurzadresse 0 (Null) hergestellt. Bleibt dieser Verbindungsversuch erfolglos, werden nacheinander die Kurzadressen 1-15 angesprochen.



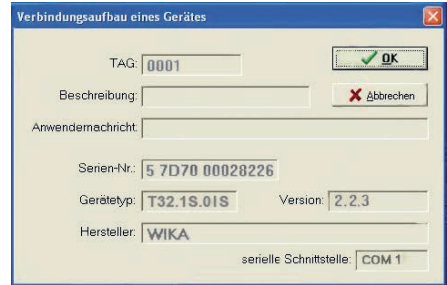
DE



Verbindungsaufnahme jeweils nur zu einem Gerät möglich!

Nach erfolgreichem Verbindungsaufbau zeigt die Software grundlegende Daten des angeschlossenen Geräts:

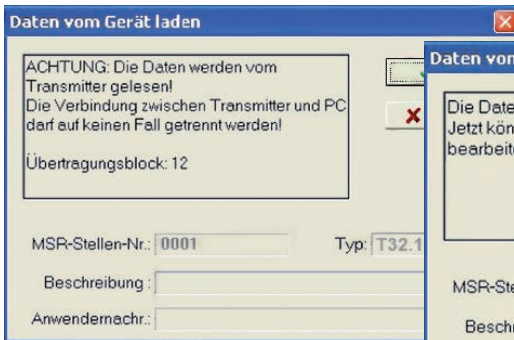
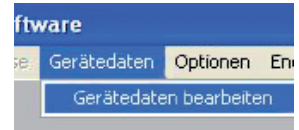
- TAG-Kennzeichen
- Beschreibung
- Anwendernachricht
- Seriennummer
- Gerätetyp und -version
- Hersteller sowie den benutzten Port des PC's



Verbindungsaufbau mit "OK" bestätigen.

## 8.3 Gerätedaten bearbeiten (konfigurieren)

Alle betriebsmäßig relevanten Daten über den Menüpunkt „Gerätedaten“ → „Gerätedaten bearbeiten“ ändern.





Währenddessen nicht die Verbindung zum Transmitter unterbrechen, da ansonsten die Daten nicht korrekt ausgelesen werden.

Bei ordnungsgemäßem Auslesen der Daten, nun mit „OK“ bestätigen.

DE

Zugriff auf betriebsrelevante Funktionen und Parameter wie:

- Sensorart und -anschluss
- Messbereich und Temperatureinheit
- Ausgangssignal
- Ausgangsgrenzen und Fehlersignalisierung
- Kennzeichnung der Messstelle
- HART®-Kurzadresse
- Burstmodus



Für weitere Informationen zur Konfiguration siehe Kontaktdaten auf Seite 41.

## 9. Elektrische Anschlüsse



### WARNUNG!

Sicherheitstechnische Maximalwerte für den Anschluss der Spannungsversorgung und der Sensoren siehe Kapitel 10.3 „Sicherheitstechnische Maximalwerte“ beachten.

Bei Arbeiten an den Transmittern (z. B. Ein-/Ausbau, Wartungsarbeiten) Maßnahmen zur Vermeidung von elektrostatischen Entladungen auf die Anschlussklemmen treffen.

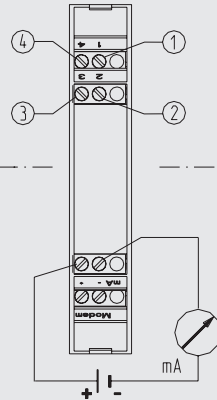
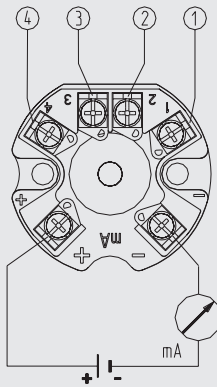


### WARNUNG!

Montagen im spannungslosen Zustand durchführen!  
Die angeschlossenen Drähte auf festen Sitz kontrollieren. Nur fest angeschlossene Leitungen gewährleisten eine volle Funktionalität.

⊖  
Eingang  
Sensor

⊕  
Ausgang  
4 ... 20 mA-Schleife



Bei Kopf- und Schienengehäuse sind Anschlussösen für das HART<sup>®</sup>-Modem vorhanden

Empfohlenes Werkzeug für Schraubklemmen:

Typ	Schraubendreher	Anzugsdrehmoment
T32.1S	Kreuzschlitz (Pozidriv-Spitze) Größe 2 (ISO 8764)	0,4 Nm
T32.3S	Schlitz, 3 mm x 0,5 mm [0,12 x 0,02 in] (ISO 2380)	0,4 Nm

### 9.1 Hilfsenergie, 4 ... 20 mA-Stromschleife

Der Typ T32 ist ein in 2-Draht-Technik gespeister Temperaturtransmitter und kann je nach Ausführung, mit unterschiedlicher Hilfsenergie versorgt werden. Den Pluspol der Hilfsenergie an die mit  $\oplus$  gekennzeichnete Klemme, den Minuspol der Hilfsenergie an die mit  $\ominus$  gekennzeichnete Klemme anschließen.

DE

Empfohlen wird bei Litzenadern die Verwenden von Crimpkontakten.

Der integrierte Verpolschutz (verpolte Spannung an den Klemmen  $\oplus$  und  $\ominus$ ) verhindert die Zerstörung des Transmitters.

Dabei gelten die folgenden maximalen Werte:

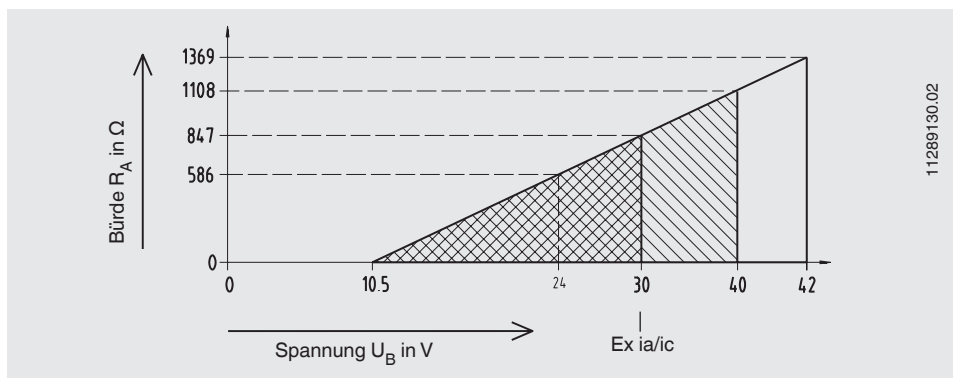
- Typ T32.xS.000: DC 42 V
- Typ T32.xS.0IS: DC 30 V
- Typ T32.xS.0IC: DC 30 V

Der Temperaturtransmitter Typ T32.xS benötigt eine minimale Klemmenspannung von DC 10,5 V. Die Bürde darf nicht zu groß sein, da sonst die Klemmenspannung am Transmitter bei höheren Strömen zu klein wird.

Der Temperaturtransmitter Typ T32.xS hat eine Klemmenspannungsüberwachung (Unterspannungserkennung). Im Falle einer zu kleinen Klemmenspannung ( $< 10$  V) erfolgt eine Fehlersignalisierung am Ausgang ( $< 3,6$  mA).

Maximal zulässige Bürde in Abhängigkeit der Speisespannung:

#### Bürdendiagramm



Zur Stromversorgung einen energiebegrenzten Stromkreis (EN/UL/IEC 61010-1, Abschnitt 8.3) mit den folgenden Maximalwerten für den Strom verwenden:

bei  $U_B = DC 42$  V; 5 A

Für die externe Stromversorgung einen separaten Schalter vorsehen.

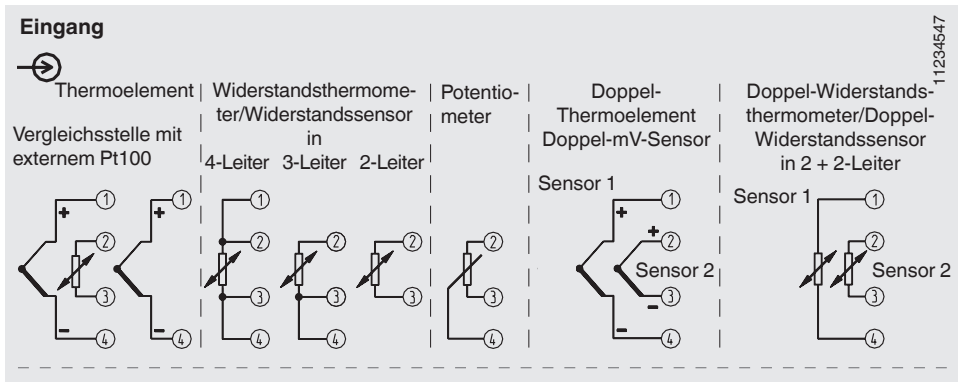


## 9.2 HART®-Loop-Anzeige (DIH50, DIH52)

Zusätzliche Ausstattung des Temperaturtransmitters mit einer HART®-Loop-Anzeige möglich. Diese dient zur Visualisierung des aktuellen Prozesswertes. Die Einheit und der konfigurierte Messbereich des Temperaturtransmitters werden automatisch über das HART®-Protokoll in der Anzeige aktualisiert. Eine nachträgliche Konfigurationsänderung der HART®-Loop-Anzeige ist nicht erforderlich. Die Anzeige muss sich dafür im HART®-Modus befinden.

## 9.3 Sensoren

### 9.3.1 Schematische Darstellung, Konfiguration



### 9.3.2 Widerstandsthermometer (RTD) und Widerstandsgeber

Möglich ist der Anschluss eines Widerstandsthermometers (z. B. nach EN 60751) in 2-, 3- oder 4-Leiter-Anschlusschaltung oder der Anschluss von zwei gleichen Widerstandsthermometern in 2-Leiter-Schaltung mit gleichen Messbereich. Den Sensoreingang des Transmitters entsprechend der tatsächlich verwendeten Art der Anschlusschaltung konfigurieren, ansonsten keine vollständige Nutzung der Möglichkeiten der Anschlussleitungskompensation und eventuelle Verursachung zusätzlicher Messfehler (siehe Kapitel 6.3 „Konfiguration“).

### 9.3.3 Thermoelemente (TC)

Möglich ist der Anschluss von einem oder zwei gleichen Thermoelementen. Auf polaritätsrichtigen Anschluss des Thermoelementes achten. Nur Thermo- bzw. Ausgleichsleitungen entsprechend den angeschlossenen Thermoelementtypen verwenden, falls die Leitung zwischen Thermoelement und Transmitter verlängert werden muss.

Den Eingang des Transmitters entsprechend den tatsächlich verwendeten Thermoelementtypen und der tatsächlich verwendeten Vergleichsstellenkompensation konfigurieren, ansonsten Verursachung von Fehlmessungen (siehe Kapitel 6.3 „Konfiguration“).



Falls die Vergleichsstellenkompensation mit einem externen Widerstandsthermometer (in 2-Leiter-Schaltung) betrieben wird, diese an Klemme ② und ③ anschließen.

## 9. Elektrische Anschlüsse

### 9.3.4 Spannungsgeber

Auf polaritätsrichtigen Anschluss des mV-Sensors achten.

### 9.3.5 Potentiometer

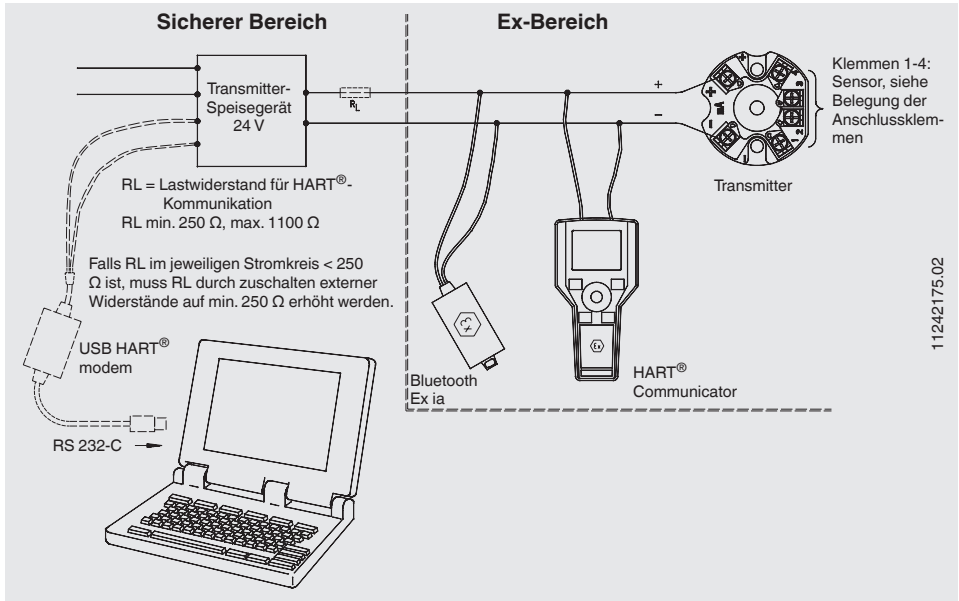
Anschluss eines Potentiometers ist möglich.

DE

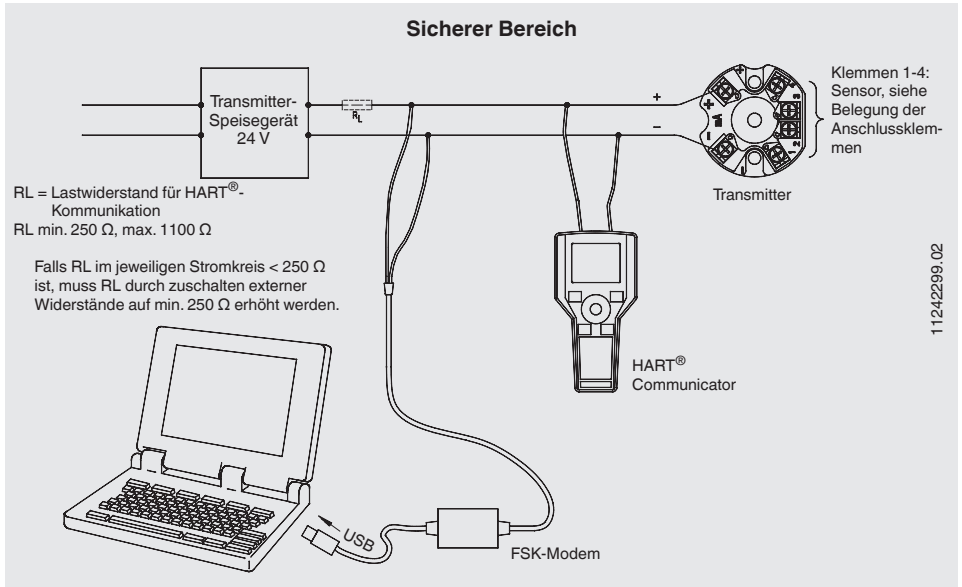
## 9.4 HART®-Signal

Das Abgreifen des HART®-Signals erfolgt direkt über die 4 ... 20 mA-Signalleitung. Der Messkreis muss eine Bürde von mindestens 250  $\Omega$  aufweisen. Allerdings darf die Bürde nicht zu groß sein, da sonst die Klemmenspannung am Transmitter bei höheren Strömen zu klein wird. Dazu die Kabelklemmen des Modems bzw. des HART®-Communicators wie beschrieben anschließen (siehe Kapitel 6.5 „HART®-Konfigurationsbaum“) oder die vorhandenen Kommunikationsbuchsen eines Speisegeräts oder -trenners verwenden. Der Anschluss des HART®-Modems bzw. des HART®-Communicators ist polaritätsunabhängig! Anschluss des HART®-Modems oder des HART®-Communicators auch parallel zum Widerstand möglich! Beim Anschluss eines Transmitters in Ex-Ausführung die besonderen Bedingungen für die sichere Anwendung beachten (siehe Kapitel 10 „Hinweise zu Montage und Betrieb im explosionsgefährdeten Bereich“).

### 9.4.1 Typischer Anschluss im Ex-Bereich (Kopfversion)



## 9.4.2 Typischer Anschluss im sicheren Bereich



DE

## 10. Hinweise zu Montage und Betrieb im explosionsgefährdeten Bereich

In einem explosionsgefährdeten Bereich dürfen nur Transmitter eingesetzt werden, die für diesen explosionsgefährdeten Bereich zugelassen sind. Die Zulassung ist auf dem Typenschild vermerkt.

Bei der Zusammenschaltung mit anderen Geräten oder Bauteilen die Anschlussbedingungen zum Explosionsschutz beachten, wie z. B. max. zulässige Spannung, Leistung oder Belastung mit Kapazitäten (siehe Kapitel 10.2 „Besondere Bedingungen für die sichere Verwendung (X-Conditions)“).

Die folgenden Angaben basieren im wesentlichen auf der EU-Baumusterprüfbescheinigung Zulassungs-Nr. BVS 08 ATEX E 019 X.

## 10. Hinweise zu Montage und Betrieb im Ex-Bereich

### 10.1 Typenübersicht der europäischen Zulassungen

Typ	Ex-Schutz und Zulassungs-Nr.	Zündschutzart
<b>T32.1S.0IS-x</b> (Kopfversion)	II 1G Ex ia IIC T4 <sup>1)</sup> /T5/T6 Ga II 1D Ex ia IIIC T135 °C Da	Eigensicheres Betriebsmittel
<b>T32.3S.0IS-x</b> (Schienenversion)	II 2(1)G Ex ia [ia Ga] IIC T4 <sup>1)</sup> /T5/T6 Gb II 2(1)D Ex ia [ia Da] IIIC T135 °C Db	Eigensicheres Betriebsmittel
<b>T32.1S.0IC-x</b> <b>T32.3S.0IC-x</b>	II 3G Ex ic IIC T4/T5/T6 Gc	Eigensicheres Betriebsmittel

- 1) Für alle europäischen Zulassungen entspricht T4 85 °C. Die auf dem Typenschild zu sehende Doppelkennzeichnung T4/T4/... wird ausschließlich durch die FM-Zulassung bedingt, bei der T4 auf 80 °C limitiert ist.

Die elektrischen Kenngrößen der Kopf- und Schienenversion sind identisch.

Für T32.xS.0IS: Der eigensichere Sensorstromkreis (optional 2-Leiter-, 3-Leiter- oder 4-Leiter-Konfiguration) beider Ausführungen ist zur Versorgung von Betriebsmitteln in Bereichen mit 1G oder 1D Anforderungen bestimmt.

Die Version T32.1S.0IS ist für den Einbau in Gehäuse oder Anschlussköpfe in Bereichen mit 1G, 2G oder 1D, 2D Anforderungen ausgelegt.

Die Version T32.3S.0IS ist für den Einbau in ein Gehäuse bestimmt, das mindestens die Schutzart IP20 (2G Anwendung oder Errichtung außerhalb des Ex-Bereiches) bzw. IP6x (2D Anwendung) gewährleistet.

### 10.2 Besondere Bedingungen für die sichere Verwendung (X-Conditions)

#### T32.3S.xxx:

Die Oberflächen der Gehäuse sind nicht leitfähig. Die Temperaturtransmitter müssen so errichtet werden, dass keine elektrostatische Aufladung auftreten kann.

#### T32.xS.0IS, T32.xS.0IS-x (gewährleistet IS-Schutzniveau Ex ia)

##### Einbau im sicheren Bereich:

- Der Transmitter muss in ein Gehäuse eingebaut sein, das mindestens einen Schutzgrad von IP20 gemäß IEC 60529 gewährleistet.
- Die elektrischen Anschlüsse im Gehäuse müssen die Abschnitte 6.3.12 und 7.6.e der IEC 60079-11:2011 erfüllen.
- Anschlussteile oder Steckverbinder für die eigensicheren Stromkreise müssen entsprechend Abschnitt 6.2.1 oder 6.2.2 der IEC 60079-11:2011 angeordnet sein.

### Einbau in Bereich mit EPL Ga (Zone 0) oder EPL Gb (Zone 1)

#### ■ Transmitter Typen T32.1S.0IS, T32.1S.0IS-x:

- Aufgrund der Anwendung muss der Transmitter in ein Gehäuse eingebaut werden, das für den Einbau in Bereichen mit EPL Ga (Zone 0) geeignet ist und in dem Auswirkungen elektrostatischer Aufladungen ausgeschlossen sind.
- Aufgrund der Anwendung muss der Transmitter in ein Gehäuse eingebaut werden, das für den Einbau in Bereichen mit EPL Gb (Zone 1) geeignet ist.

#### ■ Transmitter Typen T32.3S.0IS, T32.3S.0IS-x:

Der Transmitter muss in ein Gehäuse eingebaut werden, das für den Einbau in Bereichen mit EPL Gb (Zone 1) geeignet ist und somit elektrostatische Aufladungen ausgeschlossen sind.

### Einbau in Bereich mit EPL Da (Zone 20) oder EPL Db (Zone 21)

#### ■ Transmitter Typen T32.1S.0IS, T32.1S.0IS-x:

Aufgrund der Anwendung muss der Transmitter in ein Gehäuse eingebaut werden, das für den Einbau in Bereichen mit EPL Da (Zone 20) oder EPL Db (Zone 21) geeignet ist und mindestens die Schutzart IP6x gemäß IEC 60529 gewährleistet.

#### ■ Transmitter Typen T32.3S.0IS, T32.3S.0IS-x:

Aufgrund der Anwendung muss der Transmitter in ein Gehäuse eingebaut werden, das für den Einbau in Bereichen mit EPL Db (Zone 21) geeignet ist und mindestens die Schutzart IP6x gemäß IEC 60529 gewährleistet.

### T32.xS.0IC, T32.xS.0IC-x (gewährleistet IS-Schutzniveau Ex ic \*)

#### Einbau in Bereich mit EPL Gc (Zone 2):

- Die Transmitter Typen T32.1S.0IC, T32.1S.0IC-x müssen in ein Gehäuse eingebaut werden, das sich in einem Bereich mit EPL Gc (Zone 2) befindet und das mindestens die Schutzart IP20 gemäß IEC 60529 gewährleistet.
- Der Transmitter muss in ein Gehäuse eingebaut werden, das für den Einbau in Bereichen mit EPL Gb (Zone 1) geeignet ist und somit elektrostatische Aufladungen ausgeschlossen sind.
- Die elektrischen Anschlüsse im Gehäuse müssen die Abschnitte 6.3.12 und 7.6.e der IEC 60079-11:2011 erfüllen.
- Anschlussteile oder Steckverbinder für die eigensicheren Stromkreise müssen entsprechend Abschnitt 6.2.1 oder 6.2.2 der IEC 60079-11:2011 angeordnet sein.

# 10. Hinweise zu Montage und Betrieb im Ex-Bereich

## Einbau in Bereich mit EPL Dc (Zone 22):

Schutzniveau „ic“ für EPL Dc-Anwendung nicht zulässig.

### ■ Transmitter Typen T32.xS.0IS-x:

Transmitter mit „ia“-Markierung können auch in Versorgungsstromkreisen des Typs „ib“ mit den gleichen Anschlussparametern verwendet werden. Somit ist der gesamte Messstromkreis (inklusive dem Sensorkreis) ein „ib“-Stromkreis. Transmitter, die in Versorgungsstromkreisen vom Typ „ib“ betrieben wurden, dürfen nicht in Versorgungsstromkreisen vom Typ „ia“ wiederverwendet werden.

- Die extern angeschlossenen Kabel oder Leiter müssen für den Temperaturbereich (max. 85 °C) der Endanwendung geeignet sein. Der Leiterquerschnitt muss mindestens 0,14 mm<sup>2</sup> betragen.

## Betrieb in Zone 0:

Der Betrieb in explosionsfähiger Atmosphäre, die Betriebsmittel der Kategorie 1 erfordern, ist nur dann zulässig, wenn folgende atmosphärische Bedingungen vorliegen:

Temperatur: -20 ... +60 °C [-4 ... +140 °F]

Druck: 0,8 ... 1,1 bar [11,60 ... 15,95 psi]

## Betrieb in Zone 1 und Zone 2:

Die Transmitter dürfen entsprechend der Temperaturklasse nur in folgenden Umgebungstemperaturbereichen eingesetzt werden:

Anwendung	Umgebungstemperaturbereich	Temperaturklasse	Leistung P <sub>i</sub>
<b>Gruppe II</b>	-60 <sup>1)</sup> / -50 °C ≤ T <sub>a</sub> ≤ +85 °C [-76 <sup>1)</sup> / -58 °F ≤ T <sub>a</sub> ≤ +185 °F]	T4	800 mW
	-60 <sup>1)</sup> / -50 °C ≤ T <sub>a</sub> ≤ +75 °C [-76 <sup>1)</sup> / -58 °F ≤ T <sub>a</sub> ≤ +167 °F]	T5	800 mW
	-60 <sup>1)</sup> / -50 °C ≤ T <sub>a</sub> ≤ +60 °C [-76 <sup>1)</sup> / -58 °F ≤ T <sub>a</sub> ≤ +140 °F]	T6	800 mW
<b>Staub-Ex</b>	-60 <sup>1)</sup> / -50 °C ≤ T <sub>a</sub> ≤ +40 °C [-76 <sup>1)</sup> / -58 °F ≤ T <sub>a</sub> ≤ +104 °F]	n. a.	750 mW
	-60 <sup>1)</sup> / -50 °C ≤ T <sub>a</sub> ≤ +70 °C [-76 <sup>1)</sup> / -58 °F ≤ T <sub>a</sub> ≤ +158 °F]	n. a.	650 mW
	-60 <sup>1)</sup> / -50 °C ≤ T <sub>a</sub> ≤ +85 °C [-76 <sup>1)</sup> / -58 °F ≤ T <sub>a</sub> ≤ +185 °F]	n. a.	550 mW

n. a. = nicht anwendbar

- 1) Sonderausführung auf Anfrage (nur mit ausgewählten Zulassungen verfügbar), nicht für Schienenversion T32.3S, nicht für SIL-Ausführung

## 10.3 Sicherheitstechnische Maximalwerte

### 10.3.1 Sensorstromkreis (Klemmen 1 bis 4)

Kenngrößen	Typ T32.xS.0IS, T32.xS.0IS-x	Typ T32.xS.0IC, T32.xS.0IC-x
<b>Schutzgrad</b>	Ex ia IIC/IIB/IIA Ex ia IIIC	Ex ic IIC/IIB/IIA
<b>Klemmen</b>	1-4	
<b>Spannung <math>U_o</math></b>	DC 6,5 V	
<b>Stromstärke <math>I_o</math></b>	9,3 mA	
<b>Leistung <math>P_o</math></b>	15,2 mW	
<b>Spannung <math>U_i</math></b>	n. a.	
<b>Stromstärke <math>I_i</math></b>	n. a.	
<b>Leistung <math>P_i</math></b>	n. a.	
<b>Innere wirksame Kapazität <math>C_i</math></b>	208 nF	
<b>Innere wirksame Induktivität <math>L_i</math></b>	vernachlässigbar	
<b>Max. äußere Kapazität <math>C_o</math></b>		
IIC	24 $\mu\text{F}^{1)}$	325 $\mu\text{F}^{1)}$
IIB IIIC	570 $\mu\text{F}^{1)}$	570 $\mu\text{F}^{1)}$
IIA	1.000 $\mu\text{F}^{1)}$	1.000 $\mu\text{F}^{1)}$
<b>Max. äußere Induktivität <math>L_o</math></b>		
IIC	365 mH	821 mH
IIB IIIC	1.644 mH	3.699 mH
IIA	3.288 mH	7.399 mH
<b>Max. Induktivitäts-/Widerstandsverhältnis <math>L_o/R_o</math></b>		
IIC	1,44 mH/ $\Omega$	3,23 mH/ $\Omega$
IIB IIIC	5,75 mH/ $\Omega$	12,9 mH/ $\Omega$
IIA	11,5 mH/ $\Omega$	25,8 mH/ $\Omega$
<b>Kennlinie</b>	linear	

n. a. = nicht anwendbar

1)  $C_i$  bereits berücksichtigt

Anmerkungen:

$U_o$ : max. Spannung eines beliebigen Leiters gegen die übrigen drei Leiter

$I_o$ : max. Stromstärke von drei Leitern parallel gegen den vierten Leiter oder jede andere Kombination

$P_o$ : max. Leistung von drei Leitern parallel gegen den vierten Leiter oder jede andere Kombination

Aufgrund der in den angewendeten Normen vorgeschriebenen Sicherheitsabstände ist der IS-Versorgungs- und Signalstromkreis sowie der IS-Sensorstromkreis als galvanisch miteinander verbunden anzusehen.

DE

## 10.3.2 Eigensicherer Speise- und Signalstromkreis (4 ... 20 mA Stromschleife; Klemmen ⊕ und ⊖)

Kenngrößen	T32.xS.0IS-x, T32.xS.0IC-x	T32.xS.0IS-x
	Gas-Ex Anwendung	Staub-Ex Anwendung
<b>Klemmen</b>	+ / -	+ / -
<b>Spannung <math>U_i</math></b>	DC 30 V	DC 30 V
<b>Stromstärke <math>I_i</math></b>	130 mA	130 mA
<b>Leistung <math>P_i</math></b>	800 mW	750/650/550 mW <sup>1)</sup>
<b>Innere wirksame Kapazität <math>C_i</math></b>	7,8 nF	7,8 nF
<b>Innere wirksame Induktivität <math>L_i</math> <sup>2)</sup></b>	Vernachlässigbar	Vernachlässigbar

1) Im Bezug auf Umgebungstemperatur; siehe Tabelle „Temperaturklasse“.

2) Vernachlässigbar nur für IECEx und ATEX, 100 µH für alle anderen Ex-Zertifizierungen.



Der eigensichere Speise- und Signalstromkreis und der eigensichere Sensorstromkreis sind als galvanisch miteinander verbunden zu betrachten.

### 10.3.3 Anschluss des HART®-Modems / HART®-Communicator (Klemmen ⊕ und ⊖)

- Die Summe aller angeschlossener Spannungen (Versorgung plus Ausgangswerte HART®-Modem und / oder HART® Communicator) darf 30 V für T32.xS.0IS und T32.xS.0IC nicht überschreiten.
- Die Summe der wirksamen Kapazitäten und Induktivitäten darf den maximal zulässigen Wert entsprechend der erforderlichen Gasgruppe (IIA bis IIC) nicht überschreiten.

## 11. Wartung

Der hier beschriebene Temperaturtransmitter ist wartungsfrei!

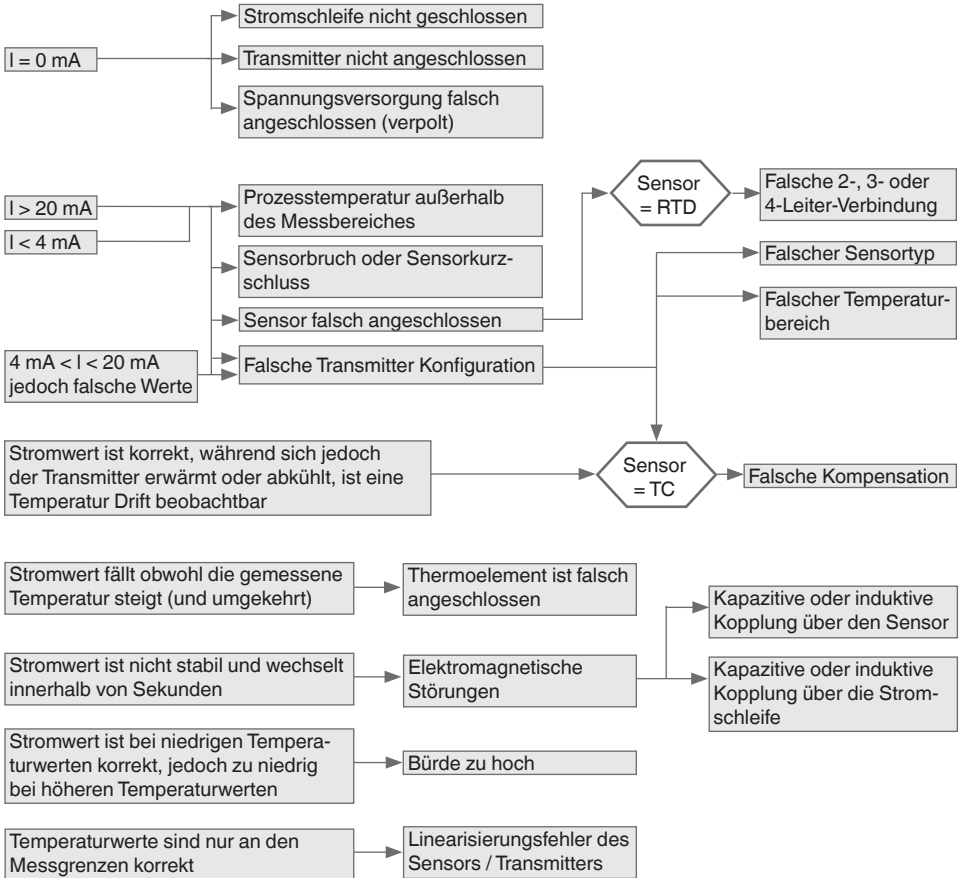
Die Elektronik ist vollständig vergossen und enthält keinerlei Bauteile, welche repariert oder ausgetauscht werden könnten.

Reparaturen sind ausschließlich vom Hersteller durchzuführen.



## 12. Störungen

### Fehlerbaum



DE



### VORSICHT!

Können Störungen mit Hilfe der oben aufgeführten Maßnahmen nicht beseitigt werden, ist das Gerät unverzüglich außer Betrieb zu setzen, sicherzustellen, dass kein Druck bzw. Signal mehr anliegt und gegen versehentliche Inbetriebnahme zu schützen. In diesem Falle Kontakt mit dem Hersteller aufnehmen.



Bei notwendiger Rücksendung die Hinweise siehe Kapitel 13.1 „Rücksendung“ beachten und dem Temperaturtransmitter eine kurze Fehlerbeschreibung, Angaben zu Umgebungsbedingungen sowie Einsatzdauer bis zum Auftreten des Fehlers beifügen.

### 13. Rücksendung und Entsorgung



#### **WARNUNG!**

Messstoffreste im ausgebauten Temperaturtransmitter können zur Gefährdung von Personen, Umwelt und Einrichtung führen. Ausreichende Vorsichtsmaßnahmen ergreifen.

DE

#### 13.1 Rücksendung



#### **WARNUNG!**

##### **Beim Versand des Geräts unbedingt beachten:**

Alle an WIKA gelieferten Geräte müssen frei von Gefahrstoffen (Säuren, Laugen, Lösungen, etc.) sein.

Zur Rücksendung des Geräts die Originalverpackung oder eine geeignete Transportverpackung verwenden.

##### **Um Schäden zu vermeiden:**

1. Das Gerät in eine antistatische Plastikfolie einhüllen.
2. Das Gerät mit dem Dämmmaterial in der Verpackung platzieren.  
Zu allen Seiten der Transportverpackung gleichmäßig dämmen.
3. Wenn möglich einen Beutel mit Trocknungsmittel der Verpackung beifügen.
4. Sendung als Transport eines hochempfindlichen Messgeräts kennzeichnen.



Das Rücksendeformular befindet sich in der Rubrik „Service“ unter [www.wika.de](http://www.wika.de).

#### 13.2 Entsorgung

Durch falsche Entsorgung können Gefahren für die Umwelt entstehen.

Gerätekomponenten und Verpackungsmaterialien entsprechend den landesspezifischen Abfallbehandlungs- und Entsorgungsvorschriften umweltgerecht entsorgen.



Eine geordnete Entsorgung gemäß nationaler Vorgaben sicherstellen.

**HAZARDOUS LOCATION :**  
Intrinsically Safe Installation  
Class I, Zone 0, Group IIC  
Class I, Division 1, Groups A, B, C and D

**INTRINSICALLY SAFE INSTALLATION**

**NON HAZARDOUS LOCATION**

**ENTITY PARAMETERS T32-1\*0IS,\* T32-3\*0IS,\***  
Refer the Certificate for detailed description of ...

Terminals + and -  
 $V_{oc} = DC 6.5 V$   
 $V_{max} = DC 30 V$   
 $I_{sc} = 9.3mA$   
 $I_{max} = 130mA$   
 $P_o = 15.2mW$   
 $P_i = 800mW$   
 $C_a = 24 \mu F$   
 $C_i = 7.8nF$   
 $L_a = 100 \mu H$

Tambient = -50°C to 85°C/80°C/75°C/60°C  
for T4/T74/T5/T6

"WARNING - To prevent ignition of flammable or combustible atmospheres, read, understand and adhere to the accompanying live maintenance procedures."

"Warning - Refer to accompanying installation, operating & service instructions for safe and proper usage."

**Notes:**

- The Intrinsic Safety Entity concept allows the interconnection of two intrinsically safe devices with entity parameters not specifically examined in combination as a system when:  
 $V_{max}$  or  $V_i \geq V_{oc}$ ,  $V_f$  or  $V_b$ ;  $I_{max}$  or  $I_i \geq I_{sc}$ ,  $I_f$  or  $I_b$ ;  $P_{max}$  or  $P_i \geq P_o$ ,  $C_a \geq C_i + C_{cable}$ ;  
 $L_a \geq L_i + L_{cable}$ .
- All thermometers that are connected to Series T32 transmitter must be either Simple Apparatus or an accordingly certified thermometer.
- Control equipment connected to the Associated Apparatus must not use or generate more than 250 Vrms or Vdc.
- Installation should be in accordance with the Canadian Electrical Code (CEC) Part I for Canada or with ANSI/ISA RPT0.05.01 "Installation of Intrinsically Safe Systems for Hazardous (Classified) Locations" and the National Electrical Code (NFPA70) Sections 504, and 505 for USA. The configuration of Associated Apparatus must be under entity concept. Associated Apparatus manufacturer's installation drawing must be followed when installing this equipment.
- No revision to this drawing without prior approval by CSA and FM Approvals.

French warning text  
 "AVERTISSEMENT: Pour éviter l'ignition des atmosphères inflammables ou combustibles, veuillez lire, comprendre et respecter les procédures d'entretien ci-jointes."  
 "AVERTISSEMENT: Se référer aux instructions concernant l'installation, le fonctionnement et le service pour une utilisation sûre et correcte."  
 "AVERTISSEMENT: Le boîtier est réalisé en matière plastique. Afin de prévenir tout risque d'étincelle électrostatique, la surface en plastique doit uniquement être nettoyée à l'aide d'un chiffon humide."  
 "AVERTISSEMENT: Doit être installé selon les exigences en matière de scellement, d'installation, d'espacement et de ségrégation de l'application finale."

Additional english text  
 "The enclosure is constructed from plastic. To prevent the risk of electrostatic sparking the plastic surface should only be cleaned with a damp cloth."  
 "WARNING - Shall be installed in compliance with the enclosure, mounting, spacing and segregation requirements of the ultimate application."

APPROVED / CSA CERTIFIED ASSOCIATED APPARATUS

CONTROL EQUIPMENT

NOTE 2

NOTE 3

NOTE 4, 5

Jnt. Safe GND

Form no. / Artikel-Nr. 11396220.07

Sheet 1 of 3

**REVISION**

NO	DESCRIPTION	DATE
01	INITIALS	06
02	WFSB	05
03	WFSB	05
04	WFSB	05
05	WFSB	05
06	WFSB	05
07	WFSB	05

© by WIKA

**NIFW PARAMETERS T32.1\*0IS\* T32.3\*0IS\* and T32.1\*0IC, T32.3\*0IC**  
Refer the Certificate for detailed description of "..."

**HAZARDOUS LOCATION :**  
Non-Incendive Installation  
Class I, Zone 2, Group IIC  
Class I, Division 2, Groups A, B, C and D

**NON HAZARDOUS LOCATION**

**SENSOR TERMINALS 1 to 4**  
 $V_{OC} = DC 6.5 V$   
 $I_{SC} = 9.3 mA$   
 $P_o = 15.2 mW$   
 $C_o = 325 \mu F$   
 $L_o = 821 mH$

**Loop Terminals + and -**  
 $V_{max} = DC 30 V$   
**T32.\*\*.\*.\* limits the loop current to 23 mA**  
 $C_i = 71.8 nF$   
 $L_i = 100 \mu H$

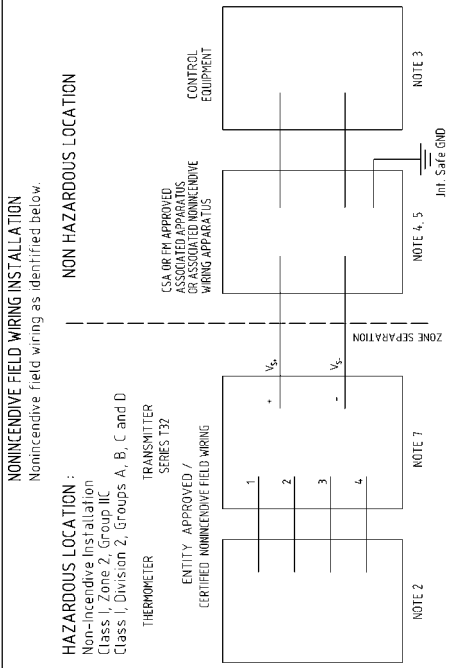
**Temperature** = -50°C to 85°C/80°C/75°C/60°C for T4/T4/T5/T6

**"WARNING - To prevent ignition of flammable or combustible atmospheres, disconnect power before servicing."**

**"Warning - Refer to accompanying installation, operating & service instructions for safe and proper usage."**

French warning text  
**"AVERTISSEMENT :** Pour éviter l'ignition des atmosphères inflammables ou combustibles, veuillez lire, comprendre et respecter les procédures d'entretien ci-jointes."  
**"AVERTISSEMENT :** Se référer aux instructions concernant l'installation, le fonctionnement et le service pour une utilisation sûre et correcte."  
**"AVERTISSEMENT :** Le boîtier est réalisé en matière plastique. Afin de prévenir tout risque d'étincelle électrostatique, la surface en plastique doit uniquement être nettoyée à l'aide d'un chiffon humide."  
**"AVERTISSEMENT :** Doit être installé selon les exigences en matière de scellement, d'installation, d'espacement et de ségrégation de l'application finale."  
 Additional English text  
**"WARNING -** The enclosure is constructed from plastic. To prevent the risk of electrostatic sparking the plastic surface should only be cleaned with a damp cloth."  
**"WARNING -** Shall be installed in compliance with the enclosure, mounting, spacing and segregation requirements of the ultimate application."

ITEM NO. / ART.NR.:  
**11396220.07**  
 SHEET / BLATT: 7 / 3



- Notes:**
1. Nonincendive field wiring enables interconnection of nonincendive field wiring apparatus with associated nonincendive field wiring apparatus or associated intrinsically safe apparatus not at Current Controlled.
  2. Normal operating current controlled or limited by the nonincendive field wiring apparatus (unlike the requirements for intrinsically safe apparatus,  $I_{max}$  or  $I_L$  of the nonincendive field wiring apparatus need not be greater than: The ISC,  $I_L$  or  $I_{SC}$  of the associated nonincendive field wiring apparatus)
    - a)  $V_{max}$  or  $V_L \geq V_{oc}$ ,  $V_L$  or  $V_o$ ,  $C_a \geq C_i + C_{cable}$ ,  $L_a \geq L_i + L_{cable}$
    - b) Not current controlled
  3. Normal operating voltage or current not controlled or limited by the nonincendive field wiring apparatus
    - a)  $V_{max}$  or  $V_L \geq V_{oc}$ ,  $V_L$  or  $V_o$ ,  $I_{max}$  or  $I_L \geq I_{sc}$ ,  $I_L$  or  $I_o$ ,  $C_a \geq C_i + C_{cable}$ ,  $L_a \geq L_i + L_{cable}$
  4. All thermometers that are connected to Series T32 transmitter must be either Simple Apparatus or an accordingly certified thermometer.
  5. Control equipment connected to the Associated Apparatus must not use or generate more than 250 Vrms or VCC.
  6. Installation should be in accordance with the Canadian Electrical Code (CEC Part I for Canada or the National Electrical Code (ANSI/NFPA70) Sections 504, and 505 for USA.
  7. The configuration of Associated Apparatus must be under: entity or non-incendive field wiring concept.
  8. Associated Apparatus manufacturer's installation drawing must be followed when installing this equipment.
  9. No revision to this drawing without prior approval by CSA and FM Approvals.
  10. Transmitter must be installed in suitable rated enclosure

REVISION	DATE	BY	CHKD	APP'D

11258421.20 11/2023 EN/DE

All rights as well as rights to register patents and other property rights reserved. Any reproduction or disclosure without authorization from WIKA. Printed versions are not subject to change management and are not subject to update service and are not considered valid. Rechte, Marken, Patente und andere Schutzrechte vorbehalten. Vervielfältigung und Weitergabe mit Genehmigung durch WIKA. Ausdrucksdrücke sind nicht Gegenstand des Änderungsmanagements und sind nicht Gegenstand des Update-Services und werden nicht als gültig angesehen.

## GENERAL DIVISION 2 WIRING INSTALLATION

Intrinsic safety barrier, associated apparatus or associated nonincendive field wiring apparatus not required. May be installed in division 2 location using nonincendive field wiring methods or general division 2 wiring as identified below.

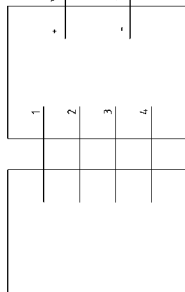
### HAZARDOUS LOCATION :

Class I, Zone 2, Group IIC  
Class I, Division 2, Groups A, B, C and D

THERMOMETER

TRANSMITTER  
SERIES T32

SENSOR MAY BE INSTALLED USING NONINCENDIVE FIELD WIRING



NOTE 2

NOTE 1

NOTE 3

### NON HAZARDOUS LOCATION

LOOP Terminals + and -  
 $V_{RMS} = DC 30 V$

Tambient = -50°C to 85°C/80°C/75°C/60°C  
for 14/14/15/16

"WARNING - To prevent ignition of flammable or combustible atmospheres, disconnect power before servicing."

"Warning - Refer to accompanying installation, operating & service instructions for safe and proper usage."

French warning text

"AVERTISSEMENT : Pour éviter l'ignition des atmosphères inflammables ou combustibles, veuillez lire, comprendre et respecter les procédures d'entretien ci-jointes."

"AVERTISSEMENT : Se référer aux instructions concernant l'installation, le fonctionnement et le service pour une utilisation sûre et correcte."

1. Transmitter must be installed in suitable rated enclosure.  
2. All thermometers that are connected to Series T32 Transmitter must be either Simple Apparatus or an accordingly certified thermometer.

3. Installation should be in accordance with the Canadian Electrical Code (CEC) Part I for Canada or the National Electrical Code (ANSI/NFPA70) Sections 501 for USA.

4. No revision to this drawing without prior approval by CSA and FM Approvals.

5. Specific Condition of use:

When NIFW are not used the Temperature Transmitter shall be installed in a final equipment enclosure using division 2 wiring methods in compliance with the enclosure, mounting and segregation requirements of the ultimate application.

6. WARNING: TO PREVENT IGNITION OF FLAMMABLE OR COMBUSTIBLE ATMOSPHERES, DISCONNECT POWER BEFORE SERVICING.

"AVERTISSEMENT : Doit être installé selon les exigences en matière de scellement, d'installation, d'espacement et de ségrégation de l'application finale."

Additional english text

"WARNING-The enclosure is constructed from plastic. To prevent the risk of electrostatic sparking the plastic surface should only be cleaned with a damp cloth."

"WARNING-Should be installed in compliance with the enclosure, mounting, spacing and segregation requirements of the ultimate application."

Version: 11/2023

REVISION

CHANGES	01
INITIALS	06
DATE	05
BY	04
REVISION	03
DATE	01

© by WIKA

ZUL INSTALLATIONSDRAWING TYP T32 FM

APPROVAL DRAWING  
ZULASSUNGSMITTELDIEN

Item No. / A-Feld-Nr.

11396220.07

Sheet / Blatt 3 / 3

DE



## EU-Konformitätserklärung EU Declaration of Conformity

Dokument Nr.  
Document No. 11359561

Revision 11  
Issue

Wir erklären in alleiniger Verantwortung, dass die mit CE gekennzeichneten Produkte  
We declare under our sole responsibility that the CE marked products


**Typenbezeichnung**  
**Type Designation** T32.1S.000-\*, T32.1S.01S-\*(1), T32.1S.01C-\*(1,2)  
T32.3S.000-\*, T32.3S.01S-\*(1), T32.3S.01C-\*(1,2)

**Beschreibung**  
**Description** Digitaler Temperatur Transmitter, Kopf- oder Schienenmontage  
Digital temperature transmitter, head or rail mounting

gemäß gültigem Datenblatt  
according to the valid data sheet TE 32.04

mit den nachfolgenden relevanten Harmonisierungsvorschriften der Union  
übereinstimmen  
are in conformity with the following relevant Union harmonisation legislation

Angewandte harmonisierte Normen  
Applied harmonised standards

2011/65/EU	Gefährliche Stoffe (RoHS) Hazardous substances (RoHS)	EN IEC 63000:2018
2014/30/EU	Elektromagnetische Verträglichkeit (EMV) Electromagnetic Compatibility (EMC)	EN 61326-1:2013 EN 61326-2-3:2013 stimmt auch überein mit/also complies with EN IEC 61326-1:2021 EN IEC 61326-2-3:2021
2014/34/EU	Explosionsschutz (ATEX) <sup>(1),(2)</sup> Explosion protection (ATEX) <sup>(1),(2)</sup>	
	II 1G Ex ia IIC T4/T5/T6 Ga	
	II 2 (1) G Ex ia [Ia Ga] IIC T4/T5/T6 Gb	(1)
	II 1D Ex ia IIIC T135 °C Da	EN IEC 60079-0:2018
	II 2 (1) D Ex ia [Ia Da] IIIC T135 °C Db	EN 60079-11:2012
	 II 3G Ex ic IIC T6, T5 T4 Gc	(2)
		EN IEC 60079-0:2018
		EN 60079-11:2012

(1) EU-Baumusterprüfbescheinigung BVS 08 ATEX E 019 X von DEKRA Testing and Certification GmbH (Reg.-Nr. 0158).  
EU type examination certificate BVS 08 ATEX E 1019 X of DEKRA Testing and Certification GmbH (Reg. No. 0158).

(2) Modul A, interne Fertigungskontrolle.  
Module A, internal control of production

Unterzeichnet für und im Namen von / Signed for and on behalf of

**WIKA Alexander Wiegand SE & Co. KG**

Klingenberg, 2023-10-25

Stefan Heidinger, Vice President  
Electrical Temperature Measurement

Roland Stapf, Head of Quality Assurance  
Process Instrumentation Corporate Quality

WIKA Alexander Wiegand SE & Co. KG  
Alexander-Wiegand-Straße 30  
63811 Klingenberg  
Germany  
VEE-Reg.-Nr. DE 92770372  
94/2023

Tel: +49 9372 132-0  
Fax: +49 9372 132-406  
E-Mail: info@wika.de  
www.wika.de

Kommanditgesellschaft, Sitz Klingenberg -  
Amtsgericht Aschaffenburg HRA 1819

Komplementärin:  
WIKA International SE - Sitz Klingenberg -  
Amtsgericht Aschaffenburg HRB 10505  
Vorstand: Alexander Wiegand  
Vorsitzender des Aufsichtsrats: Prof. Dr. Roderich C. Thümmel  
23AR-04744



WIKA subsidiaries worldwide can be found online at [www.wika.com](http://www.wika.com).  
WIKa-Niederlassungen weltweit finden Sie online unter [www.wika.de](http://www.wika.de).



**Importer for UK**  
**WIKa Instruments Ltd**  
Unit 6 and 7 Goya Business park  
The Moor Road  
Sevenoaks  
Kent  
TN14 5GY



**WIKa Alexander Wiegand SE & Co. KG**  
Alexander-Wiegand-Straße 30  
63911 Klingenberg • Germany  
Tel. +49 9372 132-0  
[info@wika.de](mailto:info@wika.de)  
[www.wika.de](http://www.wika.de)